



NOTICE: This file contains information that was previously published in the WIPO *Handbook on Industrial Property Information and Documentation*, but that has become outdated.

EXAMPLES CONCERNING CORRECTIONS, ALTERATIONS AND SUPPLEMENTS RELATING TO PATENT INFORMATION

This document gives examples concerning corrections, alterations and supplements relating to patent information published in paper form or on machine-readable media. For further information concerning these matters, attention is drawn to WIPO Standard [ST.50](#).

SECTION 1 EXAMPLES OF CORRECTED FIRST PAGES OR REPRINTS OF PATENT DOCUMENTS

- Example 1: First page of a corrected patent application (hypothetical)
- Example 2: Corrected first page of a German patent document (hypothetical)

SECTION 2 EXAMPLE RELATING TO CORRECTIONS OF ELECTRONIC PUBLICATIONS

- Example 1: Use of supplementary correction codes in a CD-ROM search index

SECTION 3 EXAMPLES OF CORRECTIONS ANNOUNCED IN A PATENT GAZETTE

Corrections to Announcements in a Patent Gazette

- Example 1: Correction of data published in a patent gazette and used as a searching key
- Example 2: Announcement regarding a correction presented in a structured layout
- Example 3: Announcement of corrections referring to the adding of erroneously omitted information and to the deletion of spurious information by using square brackets
- Example 4: Cancellation of the announcement of a reprint of a patent document (hypothetical)

Announcements of Corrections in a Patent Gazette

- Example 5: Announcement regarding the replacement of drawings presented in a structured layout
- Example 6: Announcement of the reprint of a patent document (hypothetical)

SECTION 4 EXAMPLES OF ALTERATIONS

- Example 1: Announcement in the PCT Gazette of the later publication of amended claims
- Example 2: First page of a PCT pamphlet containing a reference to the publication of amended claims
- Example 3: Sample page of a PCT pamphlet containing amended claims
- Example 4: Announcements in the Official Journal of the United Kingdom of the names of new applicants
- Example 5: Announcements in the European Patent Bulletin regarding changes of the name or address of the patent assignee
- Example 6: Announcements in the European Patent Bulletin concerning changes related to the transfer of proprietary rights
- Example 7: Announcements in the Patent Gazette of Slovakia concerning changes of proprietorship by using codes provided for in WIPO Standard [ST.17](#)

SECTION 5 EXAMPLES OF SUPPLEMENTS

- Example 1: Announcement in the PCT Gazette of the later publication of an international search report
- Example 2: Updated version of a first page of a PCT pamphlet published along with the international search report
- Example 3: Announcement in the PCT Gazette of the later publication of revised versions of international search reports



HANDBOOK ON INDUSTRIAL PROPERTY INFORMATION AND DOCUMENTATION

Ref.: Archives

page: 1

SECTION 1

EXAMPLES OF CORRECTED FIRST PAGES OR REPRINTS OF PATENT DOCUMENTS

Example 1: First page of a corrected patent application (hypothetical)

(11)	AA 0 757 992 A9			
(12)	CORRECTED PATENT APPLICATION Note: Bibliography reflects the latest situation			
(15)	Correction information:	Corrected version no 3 Corrections, see pages See INID code	(W3A1) 1,4,6,12-15 (30)	
	Previous corrected versions:	A9, 1997.09.15 A8, 1997.04.07	Bulletin 1997/38 (W2A1) Bulletin 1997/15 (W1A1)	
(43)	Original version:	A1, 1997.02.12	Bulletin 1997/07	
(48)	Corrigendum issued on:	1997.12.10	Bulletin 1997/50	
(51)	Int. Cl. ⁶ : C07F 17/00, C08F 4/642			
(21)	Application number: 96530014.2			
(22)	Date of filing: 1996.08.02			
(84)	Designated contracting states: BE DE FR GB			
(30)	Priority: 1995.08.03 ES 95015186			



Section 1, page 2

Example 2: Corrected first page of a German patent document (hypothetical)

(19) BUNDESREPUBLIK
DEUTSCHLAND



DEUTSCHES
PATENTAMT

(12) **Berichtigtes Titelblatt
der Patentschrift
DE 195 01 001 B8**

(51) Int. Cl.⁵:
B 65 B 51/19

(21) Aktenzeichen: 19501001.3
(22) Anmeldetag: 17.06.1995
(43) Offenlegungstag: 17.12.1996

(15) Korrekturinformation: Berichtigung Nr. 3
INID-Code (72)
Frühere Berichtigungen: B8, 02.01.1998
B9, 17.12.1997

(45) Veröffentlichungstag der Patenterteilung (Ursprungsfassung): B1, 04.07.1997
(48) Veröffentlichungstag der Berichtigung: 02.02.1998

Innerhalb von 3 Monaten nach Veröffentlichung der Erteilung kann Einspruch erhoben werden.

(30) Unionspriorität: (32) (33) (31)
18.06.1994 US 863198

(72) Erfinder:
Wither, Wilfried, Redondo Beach, Calif., US

(73) Patentinhaber:
The Garrett Corp., Los Angeles, Calif. US

(56) Für die Beurteilung der Patentfähigkeit in
Betracht gezogene Druckschriften:

(74) Vertreter:
Wasmeier, A., Dipl.-Ing.; Graf, H., Dipl.-Ing.,
Pat.-Anwälte, 8400 Regensburg

US 37 10 576

(54) Vorrichtung zum Versiegeln von Behältnissen mittels einer heißsigelbaren Bedeckungsfolie

(57)
XXXXXXXXXX XXXXXXXX XXXXX XXXXXXXXXXXX XXXXXXXXXXXXXXXXXXXX XXXX XXXXXXXXXXXXXXXXXXXX XXXXXXXXXXXXXXXXXXXX XXXXXXXXXXXXXXXXXXXX
XXXXXXXXXX XXXXXXXXXXXX XXXXXXXXXXXX XXXXXXXXXXXXXXXXXXXX XXXXXXXXXXXXXXXXXXXX XXXXXXXXXXXXXXXXXXXX XXXXXXXXXXXXXXXXXXXXXXXXXXXX XXXXXXXXXXXXXXXXXXXX
XXXXXXXXXXXXXXXX XX XXXX XXXXXXXXXXXXXXXXXXXX XXXXXXXXXXXXXXXXXXXX XXXXXXXXXXXXXXXXXXXX XXXXXXXXXXXXXXXXXXXX XXXXXXXXXXXXXXXXXXXX XXXXXXXXXXXXXXXXXXXX
XXXXXXXXXXXXXXXXXXXXXXXX XXXX XXXX XXXXXXXXXXXXXXXXXXXX XXXXXXXXXXXXXXXXXXXX XXXXXXXXXXXXXXXXXXXX XXXXXXXXXXXXXXXXXXXX XXXXXXXXXXXXXXXXXXXX XXXXXXXXXXXXXXXXXXXX
XXXXXXXXXXXXXXXXXXXXXXXX XXXXXXXXXXXXXXXXXXXX XXXXXXXXXXXXXXXXXXXX XXXXXXXXXXXXXXXXXXXX XXXXXXXXXXXXXXXXXXXX XXXXXXXXXXXXXXXXXXXX XXXXXXXXXXXXXXXXXXXX

- - - - **Muster** - - - -

[Section 2 follows]



SECTION 2

EXAMPLE RELATING TO CORRECTIONS OF ELECTRONIC PUBLICATIONS

Example 1: Use of supplementary correction codes in a CD-ROM search index

The following example shows an extract of the pilot index of the series ESPACE EP A containing several corrections and reissues.

Line	1	EP	499395	A2	970115	ESPACE	97/004	
	2	EP	499395	A2	970115	ESPACE	97/023	ZCA2
	3	EP	499395	A3	970715	ESPACE	97/045	
	4	EP	499395	A9	970824	ESPACE	97/052	W1A2
	5	EP	499395	A9	970824	ESPACE	97/052	W1A3
	6	EP	499395	A9	970824	ESPACE	97/068	ZCA2

In the example

Line	refers to
2	the reissue of the original A2 document, as this was not accessible on CD-ROM,
3	the separate publication of the search report (A3 document),
4	a correction of the A2 document (complete reprint and reissue on CD-ROM),
5	a correction of the A3 document (complete reprint and reissue on CD-ROM),
6	the reissue of the corrected version of the A2 document, as this was not accessible on CD-ROM.

[Section 3 follows]



HANDBOOK ON INDUSTRIAL PROPERTY INFORMATION AND DOCUMENTATION

SECTION 3

EXAMPLES OF CORRECTIONS ANNOUNCED IN A PATENT GAZETTE
Corrections to Announcements in a Patent Gazette

Example 1: Correction of data published in a patent gazette and used as a searching key

8346

PCT Gazette - Section II - Gazette du PCT

16/1998
 23 Apr/avr 1998

CORRECTIONS OF ENTRIES IN SECTION I (Continued)

CORRECTIONS DE RUBRIQUES DE LA SECTION I (Suite)

International Publication Numbers Numéros de publication internationale	First International Patent Classification Symbols Premiers symboles de la classification internationale des brevets	Gazette Issue Numbers Numéros de Gazette	Corrections
WO 98/08403 ⁽¹⁾	A42B 1/06	09/1998	add INID Number “(72) Inventor: OXMAN, Scott; 390 S. Robins Way, Chandler, AZ 85225 (US).” ajouter le numéro INID “(72) Inventeur: OXMAN, Scott; 390 S. Robins Way, Chandler, AZ 85225 (US).”
WO 98/08992 ⁽¹⁾	C22B 26/22	09/1998	under INID Number (81) “Designated States”, add “BR, CN, IL, IS, KP, KZ, RU, UA”; due to late transmittal by the receiving Office sous le numéro INID (81) “Etats désignés”, ajouter “BR, CN, IL, IS, KP, KZ, RU, UA”; en raison de la transmission tardive par l’office récepteur
WO 98/09260 ⁽¹⁾	G07F 19/00	09/1998	under INID Number (71) “Applicant (for all designated States except US)”, replace “XCELLINK CORPORATION [TC/HK]; 16th floor Suites 1-3, Kinwick Centre, 32 Hollywood Road, Central, Hong-Kong (HK).” by “XCELLINK CORPORATION [-/CN]; 16th floor, Suites 1-3, Kinwick Centre, 32 Hollywood Road, Central, Hong Kong (CN).” sous le numéro INID (71) “Déposant (pour tous les Etats désignés sauf US)”, remplacer “XCELLINK CORPORATION [TC/HK]; 16th floor Suites 1-3, Kinwick Centre, 32 Hollywood Road, Central, Hong-Kong (HK).” par “XCELLINK CORPORATION [-/CN]; 16th floor, Suites 1-3 Kinwick Centre, 32 Hollywood Road, Central, Hong Kong (CN).”
WO 98/10763 ⁽¹⁾	A61 K 31/44	11/1998	under INID Number (51) “International Patent Classification”, replace the existing symbols by “A61K 31/44, 31/155, 31/495, C07C 257/18, C07D 213/72, 241/04” sous le numéro INID (51) “Classification internationale des brevets”, remplacer les symboles existants par “A61 K 31/44, 31/155, 31/495, C07C 257/18, C07D 213/72, 241/04”

(1) A corrected version of the front page of the corresponding pamphlet has been published on the same date as the present issue of the PCT Gazette.

(1) Une version corrigée de la page de couverture de la brochure correspondante a été publiée à la date de parution du présent numéro de la Gazette du PCT.



Section 3, page 2

Example 2: Announcement regarding a correction presented in a structured layout

FR

ERRATUM

au

**TABLEAU DES INSCRIPTIONS AU REGISTRE
NATIONAL DES BREVETS
DE LA SEMAINE DU 19 au 23 FÉVRIER 1990
PUBLIÉE AU BOPI N° 18 du 4 MAI 1990**

Au lieu de :

N° de brevet	N° de l'inscription	code de l'inscription
87 03 297	25944	BR

Il faut lire :

N° de brevet	N° de l'inscription	code de l'inscription
87 03 297	25943	BR



Example 3: Announcement of corrections referring to the adding of erroneously omitted information and to the deletion of spurious information by using square brackets

REISSUES

US

SEPTEMBER 6, 1994

Matter enclosed in heavy brackets [] appears in the original patent but forms no part of this reissue specification; matter printed in italics indicates additions made by reissue.

Re. 34,715

MULTIFUNCTION FLUID CHARGING DEVICE

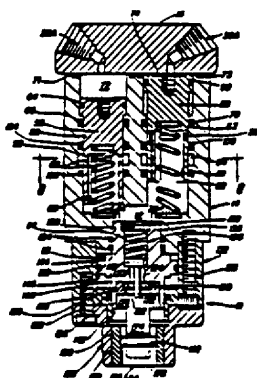
Ronald A. Gudenus, Mt. Clemens, and Charles Tamasianus, Farmington, both of Mich., assignors to Lucas Hartridge, Inc., Reston, Va.

Original No. 4,869,300, dated Sep. 26, 1989, Ser. No. 95,641, Sep. 14, 1987. Application for reissue Feb. 21, 1990, Ser. No. 484,361

Int. Cl.¹ B65B 3/04

U.S. Cl. 141—59

9 Claims



1. A device for dispensing a pressurized fluid into a system, said system including a charging inlet tube, and device comprising:

a valve body assembly, including an end cap having an end cap nozzle opening adapted to be received over said inlet tube;

air operated clamping means for clamping said inlet tube within said end cap opening;

said clamping means including a clamping piston, and a bore formed in said valve body assembly, said clamping piston movably mounted in said bore in said valve body assembly for movement between clamping and unclamping positions;

said clamping means further including a series of clamping elements moved radially inward upon movement of said clamping piston to said clamping position;

air pressure inlet porting means on said valve body assembly for connection to a source of clamping means air pressure;

first internal passage means in said valve body assembly connecting said air inlet porting means and said bore in said valve body assembly included in said clamping means;

respective vacuum and pressurized fluid porting means on said valve body assembly for connection to a source of vacuum and pressurized fluid respectively;

selectively operable distributor valving means within said valve body assembly for selectively communicating said vacuum or said pressurized fluid porting means to said end cap nozzle opening to allow applying a vacuum to said system and thereafter dispensing pressurized fluid thereto through said end cap nozzle opening;

[air] fluid pressure activating means for operating said distributor valving means by the application of [air] fluid pressure;

a [Schroeder] Schrader type valve stem engagement member having a rod element centered with respect to said end cap opening, and [air] fluid pressure operated actuating

means [bring] bringing said rod element into engagement with a [Schroeder] Schrader type valve stem when said device is clamped to an inlet tube equipped with a [Schroeder] Schrader type valve;

valve actuator porting means comprising a series of ports adapted to be connected to [air lines] pressurized fluid communicating with said distributor valving means and said [air] fluid pressure activating means to enable selective operation of said distributor valving means.

Re. 34,716

AQUEOUS DISPERSIONS OF POLYESTER AND POLYESTER-AMIDES CROSS-LINKED WITH METALLIC IONS AND CASTS MADE THEREFROM

Mohan Vishnupad, Monroe, and Jose Ramirez Trumbull, both of Conn., assignors to Imaginative Research Associates, Inc., Bridgeport, Conn.

Original No. 5,110,862, dated May 5, 1992, Ser. No. 652,233, Feb. 5, 1991. Continuation of Ser. No. 578,018, Sep. 5, 1990, abandoned, which is a division of Ser. No. 367,183, Jun. 16, 1989, Pat. No. 4,992,508. Application for reissue Feb. 11, 1993, Ser. No. 16,808

Int. Cl.¹ C08L 67/00

U.S. Cl. 524—601

3 Claims

1. A cross-linked emulsion comprising: a water dissipatable polymer in an amount from 18 to 30 percent by weight based on the total weight of the composition;

water in an amount from [67] 30 to 80 percent by weight based on the total weight of the composition;

emollient oils in an [amount] amount from 0.1 to 25 percent by weight based on the total weight of the composition;

a source of multivalent metallic ions in an [amount] amount from 0.1 to 5 percent by weight based on the total weight of the composition;

humectants in an amount from 0.1 to 40 percent by weight based on the total weight of the composition; and

emulsifier in an amount from 0.01 to 5 percent by weight based on the total weight of the composition.

Re. 34,717

LIGHT STRING ORNAMENT CIRCUITRY

Robert E. Sanders, Lenexa, Kans.; Charles J. Flynn, and John L. Vertruse, both of Kansas City, Mo., assignors to Hallmark Cards Inc., Kansas City, Mo.

Original No. 4,682,079, dated Jul. 21, 1987, Ser. No. 657,680, Oct. 4, 1984. Application for reissue Apr. 8, 1991, Ser. No. 681,905

Int. Cl.¹ H05B 37/00, 39/00, 41/00

U.S. Cl. 315—186

54 Claims

30. A decorative device for electrical connection in a string of conventional sockets for miniature Christmas lights or the like, each of said conventional sockets including a hollow housing of insulating material having an open end with a pair of contacts within said housing arranged for engagement with contacts of a conventional miniature Christmas light and interconnected through flexible conductors with contacts of other conventional sockets of said string, said device comprising electrical circuit means which includes electrically energizable electromechanical load means producing enhanced sensory effects and a connector for connecting said device to said string, said connector being arranged for connection to a selected socket of [a] said string of conventional sockets mounted in a stationary position on a tree and said connector being arranged to provide an extension cord to obtain flexibil-



Section 3, page 4

Example 4: Cancellation of the announcement of a reprint of a patent document (hypothetical)

(11) AA 757 992	(51) C07F 17/00
(48) 1997.12.10	(13) A9
(84) BE DE FR GB	
(15) DLA1	

Die angekündigte Korrektur entfällt/The announced correction is cancelled/La correction annoncée est annulée

Previous versions:

A9,	1997.09.15	Bulletin 1997/38 (W2A1)
A8,	1997.04.07	Bulletin 1997/15 (W1A1)
(43) A1,	1997.02.12	Bulletin 1997/07



Section 3, page 5

Example 5: Announcement regarding the replacement of drawings presented in a structured layout

18/1998

7 May/mai 1998

PCT Gazette - Section II - Gazette du PCT

8871

CORRECTED VERSIONS OF PAMPHLETS

VERSIONS CORRIGÉES DE BROCHURES

Corrected versions of the pamphlets, identified below by their international publication number, have been published on the same date as the present issue of the PCT Gazette.

Des versions corrigées des brochures, identifiées ci-dessous par leur numéro de publication international, ont été publiées à la date de parution du présent numéro de la Gazette du PCT.

International Publication Numbers Numéros de publication internationaux	International Application Numbers Numéros des demandes internationales	Corrections
WO 97/28071	PCT/US97/01487	pages 1-13, description, replaced by new pages 1-14; pages 14-17, claims, replaced by new pages 15-18; pages 1/3-3/3, drawings, replaced by new pages bearing the same number; due to late transmittal by the receiving Office pages 1-13, description, remplacées par de nouvelles pages 1-14; pages 14-17, revendications, remplacées par de nouvelles pages 15-18; pages 1/3-3/3, dessins, remplacées par de nouvelles pages portant la même pagination; en raison de la transmission tardive par l'office récepteur
WO 97/42321	PCT/US97/07856	page 1/1, drawings, replaced by a new page bearing the same number; due to late transmittal by the receiving Office page 1/1, dessins, remplacée par une nouvelle page portant la même pagination; en raison de la transmission tardive par l'office récepteur



Section 3, page 6

Example 6: Announcement of the reprint of a patent document (hypothetical)

(11) AA 757 992 (51) C07F 17/00
(48) 1997.12.10 (13) A9
(84) BE DE FR GB
(15) W3A1

- Bibliographie/Bibliography/Bibliographie
- Beschreibung/Description/Description
- Ansprüche/Claims/Revendications

Previous versions:

A9, 1997.09.15 Bulletin 1997/38 (W2A1)
A8, 1997.04.07 Bulletin 1997/15 (W1A1)
(43) A1, 1997.02.12 Bulletin 1997/07

[Section 4 follows]



SECTION 4

EXAMPLES OF ALTERATIONS

Example 1: Announcement in the PCT Gazette of the later publication of amended claims

18/1998

7 May/mai 1998

PCT Gazette - Section II - Gazette du PCT

8863

NOTICES AND INFORMATION RELATING TO PUBLISHED
INTERNATIONAL APPLICATIONS AND/OR ENTRIES IN SECTION I

NOTIFICATIONS ET INFORMATIONS
RELATIVES AUX DEMANDES INTERNATIONALES PUBLIÉES
ET/OU AUX RUBRIQUES DE LA SECTION I

**ANNOUNCEMENT OF THE LATER PUBLICATION
OF AMENDED CLAIMS UNDER ARTICLE 19**

**ANNONCE DE LA PUBLICATION ULTÉRIEURE DES REVENDICATIONS
MODIFIÉES EN VERTU DE L'ARTICLE 19**

Amended claims under Article 19, relating to the already published international applications listed below, have been published on the same date as the present issue of the PCT Gazette, together with updated versions of the front pages of the pamphlets in which the said applications were published. The page numbering of the amended claims is in accordance with the page numbering of the said pamphlets.

Les revendications modifiées en vertu de l'article 19, relatives aux demandes internationales mentionnées ci-dessous, ont été publiées à la date de parution du présent numéro de la Gazette du PCT avec des versions mises à jour des pages de couverture des brochures dans lesquelles lesdites demandes internationales ont été publiées. La pagination des revendications modifiées correspond à la pagination desdites brochures.

International Application Numbers Numéros des demandes internationales	International Publication Numbers Numéros de publication internationaux	First International Patent Classification Symbols Premiers symboles de la classification internationaux des brevets	Amended Claims Received on Revendications modifiées reçues le
PCT/DE97/02026	WO 98/12131	B65H 19/12	25 Mar/mar 1998
PCT/DK97/00412	WO 98/14302	B23K 26/06	20 Mar/mar 1998
PCT/EP97/04684	WO 98/08876	C08B 37/08	12 Mar/mar 1998
PCT/EP97/05573	WO 98/09426	HO4N 1/00	20 Mar/mar 1998
PCT/IB97/00573	WO 97/31445	GOIF 15/00	29 Dec/déc 1997
PCT/US97/10532	WO 97/50131	HOII 31/048	17 Mar/mar 1998
PCT/US97/15243	WO 98/09209	G06F 1/00	02 Mar/mar 1998
PCT/US97/15298	WO 98/08866	C07H 21/04	10 Mar/mar 1998
PCT/US97/15651	WO 98/14103	A47G 29/00	25 Mar/mar 1998
PCT/US97/16940	WO 98/13150	B08B 9/00	25 Mar/mar 1998
PCT/US97/17068	WO 98/13677	GOIK 15/00	20 Mar/mar 1998



Section 4, page 2

Example 2: First page of a PCT pamphlet containing a reference to the publication of amended claims

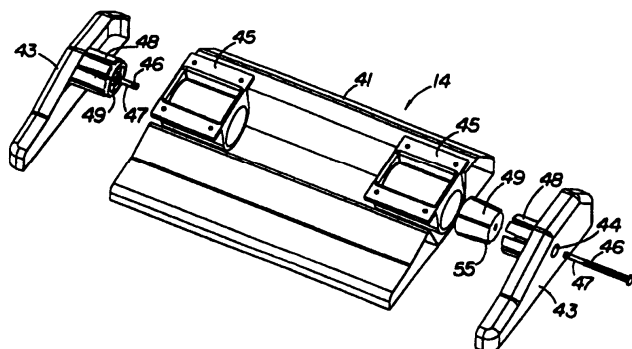
PCT WORLD INTELLECTUAL PROPERTY ORGANIZATION
International Bureau



INTERNATIONAL APPLICATION PUBLISHED UNDER THE PATENT COOPERATION TREATY (PCT)

(51) International Patent Classification ⁶ : A47G 29100	AI	(11) International Publication Number: WO 98/14103	(43) International Publication Date: 9 April 1998 (09.04.98)
<p>(21) International Application Number: PCT/US97/15651</p> <p>(22) International Filing Date: 5 September 1997 (05.09.97)</p> <p>(30) Priority Data: 08/723,262 30 September 1996 (30.09.96) US</p> <p>(71) Applicant: MONORAIL, INC. [US/US]; Suite 600, 2000 Powers Ferry Center, Marietta, GA 30067 (US).</p> <p>(72) Inventors: JOHNS, H., Douglas; 5290 Woodridge Forest Trail, Atlanta, GA 30327 (US). FORLENZA, Nicholas, G.; 2009 Charrwood Way, Marietta, GA 30062 (US). ADAMS, Gregory, K.; 5226 Tealing Drive, Roswell, GA 30075 (US). RENTS, Jeffrey, M.; Apartment 106, 1250 Parkwood Circle, Atlanta, GA 30339 (US). MAYNE, Michael, C.; 2600 White Road, Conyers, GA 30207 (US). SPOETH, Carl, R.; 12412 Cobblestone Drive, Bayonet Point, FL 34667 (US).</p>		<p>(81) Designated States: JP, European patent (AT, BE, CH, DE, DK, ES, FI, FR, GB, GR, IE, IT, LU, MC, NL, PT, SE).</p> <p>Published With international search report With amended claims. ←</p> <p>Date of publication of the amended claims: 7 May 1998 (07.05.98)</p>	

(54) Title: A STAND FOR PIVOTALLY SUPPORTING A COMPUTER SCREEN HOUSING



(57) Abstract

A base unit (1 4) for a computer housing includes a stand (4 1), endcaps (43), and pivots (45) for mounting to the bottom of a computer housing. The pivots (45) are secured to the endcaps (43). The endcaps (43) each have a plurality of circumferentially arranged projection members (48) extending from an inner surface of the endcaps (431). Plugs (49) are provided with a generally conical shape and spaced ribs (55) for engaging the spaces between adjacent projection members (48) of the endcaps (43). Each plug (49) is connected to a corresponding endcap (43) by a bolt (46). By tightening the bolts (46), the plugs (49) are driven toward the endcaps (43), thereby forcing the projection members (48) into frictional engagement with the pivots (45).



Section 4, page 3

Example 3: Sample page of a PCT pamphlet containing amended claims

WO 98/14103

PCT/US97/1565I

AMENDED CLAIMS



[received by the International Bureau on 25 March 1998 (25.03.98);
original claims 1, 3, 4, 6-11, 14 and 17 amended; remaining claims unchanged (6 pages)]

1. A stand for pivotally supporting a computer screen housing, comprising:
 - a. at least one pivot unit having a friction surface and being adapted for attachment to said computer screen housing;
 - b. at least one insert member having a friction surface adapted to mate with said friction surface on said at least one pivot unit;
 - c. at least one biasing member inserted at least partially within the at least one insert member and adapted to bias said at least one pivot unit and said at least one insert member against one another in order to produce a predetermined amount of frictional force; and
 - d. at least one retention member adapted to retain said at least one biasing member at a fixed position relative to said at least one insert member;
wherein rotation of said at least one pivot unit causes said computer screen housing to pivot about a pivot axis relative to said at least one insert member subject to said frictional force for positioning of said screen housing by a user.

2. The stand as set forth in claim 1, wherein said at least one pivot unit comprises first and second pivot units, said at least one insert member comprises first and second insert members, and said at least one biasing member comprises first and second biasing members, said first biasing member for biasing said first pivot unit against said first insert member to produce a first frictional force and said second biasing member for biasing said second pivot unit against said second insert member to produce a second frictional force.

3. A stand for pivotally supporting a computer screen housing, comprising:
 - a. at least one pivot unit having a friction surface and being adapted for attachment to said computer screen housing.



Section 4, page 4

Example 4: Announcements in the Official Journal of the United Kingdom of the names of new applicants

890

18 February 1998

Patents and Designs Journal

Other Proceedings under the Patents Act 1977**Section 13
Mention of Inventor**

Application for Inventor to be mentioned under Section 13(1)

Application allowed**GB 9626975.8** HYUNDAI ELECTRONICS INDUSTRIES CO; LTD Semiconductor device and a manufacturing method for the same.

Pursuant to a decision of the Comptroller dated 16 December 1997, Yo Hwan Koh of 6-906 Sungyeong Apt, Hayge-dong, Nowon-Ku, Seoul, Korea is to be named as sole inventor.

Application under Section 13(3) for a person not to be mentioned as inventor

Application filed**GB 2285819** BRISCO ENGINEERING LTD A manifold arrangement. Application by A B B Seatec Ltd; Asea Brown Boveri A S filed on 17 December 1997.**Application allowed****GB 9626975.8** HYUNDAI ELECTRONICS INDUSTRIES CO; LTD Semiconductor device and a manufacturing method for the same.

Pursuant to a decision of the Comptroller dated 16 December 1997, Jae-Kap Kim of 203-206 Hyundai Apt, 606 Galsan-ri, Ich'on-eub, Ich'on Kyoungki-do, Korea ought not to have been named as inventor.

**Section 27
Amendment of Specification after Grant**
Application(s) made for Amendment of Specification

The details of the amendments proposed, which may now be inspected at the Patent Office, will be advertised later (unless the application is abandoned)-, the application will then be open to opposition. The date included in the entry is the date of filing of the application.

EP 0617347 MITSUBISHI DENKI KABUSHIKI KAISHA Data logging apparatus 23 January 1998.

Cases decided by the Comptroller

Specification(s) Amended

The date included in the entry is the effective date of amendment.

EP 0492396 MITSUBISHI DENKI KABUSHIKI KAISHA Parallel inverter system 22 January 1998.**EP 0552719** MITSUBISHI DENKI KABUSHIKI KAISHA Thermal head driving circuit 22 January 1998.**EP 0570976** MITSUBISHI DENKI KABUSHIKI KAISHA Electric power supply system 22 January 1998.**Section 28
Restoration of Ceased Patents**

This list relates to applications for the restoration of ceased patents. For further information contact 01633 814656 for UK, patents or 01633 814564 for European patents (UK). The date included with each entry is the effective date the application was filed, withdrawn, refused or allowed.

Application for restoration filed**21 January 1998****EP 0309583** NIPPON CARBON CO., LTD. METHOD OF MELTING AND REFINING METALS, AND AN APPARATUS FOR COOLING ELECTRODES USED THEREFOR.**Section 30
Transactions in Patents and Applications**

This list relates to unpublished applications and shows changes to the applicant's name or to the ownership of the application. For further information contact 01633 814630.

GB 9618329.8**New Applicant (s)**
Retinal Display Cayman Limited**Old Applicant (s)**
Virtuality (IP) Limited**GB 9711553.9****New Applicant (s)**
Crossco 262 Limited**Old Applicant (s)**
Grant, Quentin**GB 9711554.7****New Applicant (s)**
Crossco 262 Limited**Old Applicant (s)**
Grant, Quentin**GB 9715999.0****New Applicant (s)**
Larenbay Limited**Old Applicant (s)**
Spenco Healthcare International Limited



Section 4, page 5

Example 5:

Announcements in the European Patent Bulletin regarding changes of the name or address of the patent assignee

II.12	Europäisches Patentblatt European Patent Bulletin Bulletin européen des brevets	Patente Patents Brevets	(22/1998) 27.05.1998
II.12.	MITSUI PHARMACEUTICALS, INC., 12-2, Nihonbashi 3-chome Chuo-ku, Tokyo 103, JP	(11) 0 532 002 (51) A61F 13/15 (73) Kimberly-Clark Worldwide, Inc., 401 North Lake Street, Neenah, Wisconsin 54956, US	
• Änderungen und Korrekturen • Alterations and Corrections • Modifications et corrections	(11) 0 350 654 (51) G06F 17/40 (73) Casio Computer Co., Ltd., 6-2, Hon-machi 1-chome, Shibuya-ku, Tokyo 151-8543, JP	(11) 0 534 478 (51) H04M 1/72 (73) Casio Computer Co., Ltd., 6-2, Hon-machi 1-chome, Shibuya-ku, Tokyo 151-8543, JP	
II.12(1)	(11) 0 358 860 (51) G06F 17/30 (73) Casio Computer Co., Ltd., 6-2, Hon-machi 1-chome, Shibuya-ku, Tokyo 151-8543, JP	(11) 0 542 271 (51) H01L 29/772 (73) Casio Computer Co., Ltd., 6-2, Hon-machi 1 chome, Shibuya-ku, Tokyo 151-8543, JP	
• Internationale Patentklassifikation • International Patent Classification • Classification internationale des brevets	(11) 0 360 680 (51) A61F 13/15 (73) KAYSERSBERG SA, Route de Lapoutroie, F-68240 Kaysersberg, FR	(11) 0 544 069 (51) G02F 1/136 (73) Casio Computer Co., Ltd., 6-2, Hon-machi 1-chome, Shibuya-ku, Tokyo 151-8543, JP	
(11) 0 427 354 (51) G02B 6/44 G02B 6/52	(11) 0 384 693 (51) C08G 61/02 (73) MITSUI CHEMICALS, INC., 2-5, Kasumigaseki 3-chome, Chiyoda-ku, Tokyo, JP	(11) 0 547 497 (51) A61F 13/15 (73) Kimberly-Clark Worldwide, Inc., 401 North Lake Street, Neenah, Wisconsin 54956, US	
II.12(6)	(11) 0 400 113 (51) G06F 17/60 (73) EMPIRE BLUE CROSS/BLUE SHIELD, 622 Third Avenue, New York, NY 10017, US KODAK LIMITED, P.O. Box 66 Station Road, Hemel Hempstead Herts, HP1 1JU, GB	(11) 0 558 014 (51) G04G 1/00 (73) Casio Computer Co., Ltd., 6-2, Hon-machi 1-chome, Shibuya-ku, Tokyo 151-8543, JP	
• Benannte Vertragsstaaten und Erstreckungsstaaten • Designated Contracting States and Extension States • Etats contractants désignés et états d'extension désignés	(11) 0 410 387 (51) G02F 1/1343 (73) Casio Computer Co., Ltd., 6-2, Hon-machi 1-chome, Shibuya-ku, Tokyo 151-8543, JP	(11) 0 570 925 (51) G02F 1/136 (73) Casio Computer Co., Ltd., 6-2, Hon-machi 1-chome, Shibuya-ku, Tokyo 151-8543, JP	
(11) 0 641 637 (51) B29C 45/14 (84) DE	(11) 0 413 208 (51) F24C 15/06 (73) Diehl Stiftung & Co., Stephanstrasse 49, 90478 Nürnberg, DE	(11) 0 573 045 (51) G09G 3/36 (73) Casio Computer Co., Ltd., 6-2, Hon-machi 1-chome, Shibuya-ku, Tokyo 151-8543, JP	
(11) 0 700 373 (51) C07C 29/38 (84) AT BE CH DE DK ES FR GR IE IT LI LU MC NL PT SE	(11) 0 417 815 (51) D04H 3/05 (73) KIMBERLY-CLARK WORLDWIDE, INC., 401 North Lake Street, Neenah, Wisconsin 54956, US	(11) 0 575 190 (51) H01F 1/153 (73) MITSUI CHEMICALS, INC., 2-5, Kasumigaseki 3-chome, Chiyoda-ku, Tokyo, JP	
II.12(7)	(11) 0 426 111 (51) G06F 13/16 (73) Casio Computer Co., Ltd., 6-2, Hon-machi 1-chome, Shibuya-ku, Tokyo 151-8543, JP	(11) 0 585 764 (51) A63C 17/14 (73) Benetton Sportssystem S.p.A., Via Montebelluna 5/7, 31040 Trevisignano (Treviso), IT	
• Bezeichnung der Erfindung (der Titel wird nur in der Sprache angeführt, in welcher es eine Änderung gab) • Title of the invention (the title is cited only in the language in which there was an amendment) • Titre de l'invention (le titre n'est cité que dans la langue dans laquelle une modification a eu lieu)	(11) 0 454 100 (51) H01L 21/318 (73) Casio Computer Co., Ltd., 6-2, Hon-machi 1-chome, Shibuya-ku, Tokyo 151-8543, JP	(11) 0 598 628 (51) C08F 4/64 (73) MITSUI CHEMICALS, INC., 2-5, Kasumigaseki 3-chome, Chiyoda-ku, Tokyo, JP	
(11) 0 391 418 (51) C30B 33/00 (54) • <i>Diamant für Abrichtungs- und Dresser</i> • <i>A diamond for a dresser</i> • <i>Diamant pour dispositif à dresser</i>	(11) 0 464 573 (51) A61L 15/16 (73) LTS LOHMANN Therapie-Systeme GmbH, Irlicher Strasse 55, 56567 Neuwied, DE	(11) 0 607 090 (51) A61F 13/15 (73) FORT JAMES FRANCE, 11, route Industrielle, 68320 Kunheim, FR	
II.12(8)	(11) 0 484 281 (51) C07K 7/64 (73) Novartis AG, Schwarzwaldallee 215, 4058 Basel, CH	(11) 0 610 380 (51) G10K 9/22 (73) GYÖRGY, László, Széchenyi u. 1, H-2013 Pomáz, HU	
• Patentinhaber (Name/Anschrift) • Proprietor of patent (name/address) • Titulaire du brevet (nom/adresse)	(84) BE CH DK ES FR GB GR IT LI LU NL SE (73) SANDOZ-PATENT-GMBH, Humboldtstrasse 3, 79539 Lösnach, DE (84) DE (73) SANDOZERFINDUNGEN VERWALTUNGSGESELLSCHAFT M.B.H., Brunner Strasse 59, 1235 Wien, AT (84) AT	(11) 0 611 901 (51) F16F 13/00 (73) BTR Antivibration Systems Germany GmbH, Gneisenaustrasse 15, 80992 München, DE	
(11) 0 632 182 (51) E05F 15/16 (73) Vio, Giancarlo, 4, Via Briccofiore, 14040 Cortiglione, Frazione San Martino di Briccofiore, IT Berta, Roberto, 4, Via Alberini, 15100 Alessandria, IT Mangini, Roberto, Ing., 16, Via Monterotondo, 151 00 Alessandria, IT	(11) 0 486 006 (51) A61F 13/15 (73) Kimberly-Clark Worldwide, Inc., 401 North Lake Street, Neenah, Wisconsin 54956, US	(11) 0 612 800 (51) C08L 23/10 (73) MITSUI CHEMICALS, INC., 2-5, Kasumigaseki 3-chome, Chiyoda-ku, Tokyo, JP	
II.12(9)	(11) 0 491 347 (51) A61F 13/62 (73) KIMBERLY-CLARK WORLDWIDE, INC., 401 North Lake Street, Neenah, Wisconsin 54956, US	(11) 0 620 529 (51) G06T 11/00 (73) Casio Computer Co., Ltd., 6-2, Hon-machi 1-chome, Shibuya-ku, Tokyo 151-8543, JP	
• Patentinhaber (Rechtsübergang) • Proprietor of patent (transfer of rights) • Titulaire du brevet (transfer de droits)	(11) 0 505 209 (51) B32B 27/32 (73) MITSUI CHEMICALS, INC., 2-5, Kasumigaseki 3-chome, Chiyoda-ku, Tokyo, JP SHELL OIL COMPANY, One Shell Plaza, P.O. Box 2463, Houston, Texas 77252-2463, US	(11) 621 015 (51) A61F 2/06 (73) Schneider (Europe) GmbH, Ackerstrasse 6, 8180 Bülach, CH	
(11) 0 145 691 (51) C08L 55/02 (73) BAYER ANTWERPEN N.V., Haven 507, Scheldelaan 420, 2040 Antwerpen, BE	(11) 0 520 884 (51) A61F 13/15 (73) FORT JAMES FRANCE, 11, route Industrielle, 68320 Kunheim, FR	(11) 0 622 975 (51) H05B 33/14 (73) MITSUI CHEMICALS, INC., 2-5, Kasumigaseki 3-chome, Chiyoda-ku, Tokyo, JP	
(11) 0 257 102 (51) A61K 31/505 (73) MITSUI CHEMICALS, INC., 2-5, Kasumigaseki 3-chome, Chiyoda-ku, Tokyo, JP	(11) 0 523 683 (51) A61F 13/46 (73) KIMBERLY-CLARK WORLDWIDE, INC., 401 North lake Street, Neenah, Wisconsin 54956, US	(11) 0 628 050 (51) C07H 3/02 (73) JAPAN as represented by DIRECTOR GENERAL OF NATIONAL FOOD RESEARCH INSTITUTE, MINISTRY OF AGRICULTURE, FORESTRY AND FISHERIES, 2-1-2, Kannonndai, Tsukuba-shi, Ibaraki 305, JP ASAI GERMANIUM RESEARCH INSTITUTE CO., LTD., 7, Kandakajicho 3-chome, Chiyoda-ku, Tokyo 101, JP	
		(11) 0 629 592 (51) C03C 15/00 (73) Schott Glas, Hattenbergstrasse 10, 55122 Mainz, DE (84) CH DE FR LI NL	



HANDBOOK ON INDUSTRIAL PROPERTY INFORMATION AND DOCUMENTATION

Ref.: Archives

page: 15

Section 4, page 6

Example 6:

Announcements in the European Patent Bulletin concerning changes related to the transfer of proprietary rights

II.12	Europäisches Patentblatt European Patent Bulletin Bulletin européen des brevets	Patente Patents Brevets	(22/1998) 27.05.1998
II.12.	MITSUI PHARMACEUTICALS, INC., 12-2, Nihonbashi 3-chome Chuo-ku, Tokyo 103, JP	(11) 0 532 002 (51) A61F 13/15 (73) Kimberly-Clark Worldwide, Inc., 401 North Lake Street, Neenah, Wisconsin 54956, US	
<ul style="list-style-type: none"> • Änderungen und Korrekturen • Alterations and Corrections • Modifications et corrections 	(11) 0 350 654 (51) G06F 17/40 (73) Casio Computer Co., Ltd., 6-2, Hon-machi 1-chome, Shibuya-ku, Tokyo 151-8543, JP	(11) 0 534 478 (51) H04M 1/72 (73) Casio Computer Co., Ltd., 6-2, Hon-machi 1-chome, Shibuya-ku, Tokyo 151-8543, JP	
II.12(1)	(11) 0 358 860 (51) G06F 17/30 (73) Casio Computer Co., Ltd., 6-2, Hon-machi 1-chome, Shibuya-ku, Tokyo 151-8543, JP	(11) 0 542 271 (51) H01L 29/772 (73) Casio Computer Co., Ltd., 6-2, Hon-machi 1 chome, Shibuya-ku, Tokyo 151-8543, JP	
<ul style="list-style-type: none"> • Internationale Patentklassifikation • International Patent Classification • Classification internationale des brevets 	(11) 0 360 680 (51) A61F 13/15 (73) KAYSERSBERG SA, Route de Lapoutroie, F-68240 Kaysersberg, FR	(11) 0 544 069 (51) G02F 1/136 (73) Casio Computer Co., Ltd., 6-2, Hon-machi 1-chome, Shibuya-ku, Tokyo 151-8543, JP	
(11) 0 427 354 (51) G02B 6/44 G02B 6/52	(11) 0 384 693 (51) C08G 61/02 (73) MITSUI CHEMICALS, INC., 2-5, Kasumigaseki 3-chome, Chiyoda-ku, Tokyo, JP	(11) 0 547 497 (51) A61F 13/15 (73) Kimberly-Clark Worldwide, Inc., 401 North Lake Street, Neenah, Wisconsin 54956, US	
II.12(6)	(11) 0 400 113 (51) G06F 17/60 (73) EMPIRE BLUE CROSS/BLUE SHIELD, 622 Third Avenue, New York, NY 10017, US KODAK LIMITED, P.O. Box 66 Station Road, Hemel Hempstead Herts, HP1 1JU, GB	(11) 0 558 014 (51) G04G 1/00 (73) Casio Computer Co., Ltd., 6-2, Hon-machi 1-chome, Shibuya-ku, Tokyo 151-8543, JP	
<ul style="list-style-type: none"> • Benannte Vertragsstaaten und Erstreckungsstaaten • Designated Contracting States and Extension States • Etats contractants désignés et états d'extension désignés 	(11) 0 410 387 (51) G02F 1/1343 (73) Casio Computer Co., Ltd., 6-2, Hon-machi 1-chome, Shibuya-ku, Tokyo 151-8543, JP	(11) 0 570 925 (51) G02F 1/136 (73) Casio Computer Co., Ltd., 6-2, Hon-machi 1-chome, Shibuya-ku, Tokyo 151-8543, JP	
(11) 0 641 637 (51) B29C 45/14 (84) DE	(11) 0 413 208 (51) F24C 15/06 (73) Diehl Stiftung & Co., Stephanstrasse 49, 90478 Nürnberg, DE	(11) 0 573 045 (51) G09G 3/36 (73) Casio Computer Co., Ltd., 6-2, Hon-machi 1-chome, Shibuya-ku, Tokyo 151-8543, JP	
(11) 0 700 373 (51) C07C 29/38 (84) AT BE CH DE DK ES FR GR IE IT LI LU MC NL PT SE	(11) 0 417 815 (51) D04H 3/05 (73) KIMBERLY-CLARK WORLDWIDE, INC., 401 North Lake Street, Neenah, Wisconsin 54956, US	(11) 0 575 190 (51) H01F 1/153 (73) MITSUI CHEMICALS, INC., 2-5, Kasumigaseki 3-chome, Chiyoda-ku, Tokyo, JP	
II.12(7)	(11) 0 426 111 (51) G06F 13/16 (73) Casio Computer Co., Ltd., 6-2, Hon-machi 1-chome, Shibuya-ku, Tokyo 151-8543, JP	(11) 0 585 764 (51) A63C 17/14 (73) Benetton Sportssystem S.p.A., Via Montebelluna 5/7, 31040 Trevisano (Treviso), IT	
<ul style="list-style-type: none"> • Bezeichnung der Erfindung (der Titel wird nur in der Sprache angeführt, in welcher es eine Änderung gab) • Title of the invention (the title is cited only in the language in which there was an amendment) • Titre de l'invention (le titre n'est cité que dans la langue dans laquelle une modification a eu lieu) 	(11) 0 454 100 (51) H01L 21/318 (73) Casio Computer Co., Ltd., 6-2, Hon-machi 1-chome, Shibuya-ku, Tokyo 151-8543, JP	(11) 0 598 628 (51) C08F 4/64 (73) MITSUI CHEMICALS, INC., 2-5, Kasumigaseki 3-chome, Chiyoda-ku, Tokyo, JP	
(11) 0 391 418 (51) C30B 33/00 (54) • <i>Diamant für Abrichtungsvorrichtung</i> • <i>A diamond for a dresser</i> • <i>Diamant pour dispositif à dresser</i>	(11) 0 464 573 (51) A61L 15/16 (73) LTS LOHMANN Therapie-Systeme GmbH, Irlicher Strasse 55, 56567 Neuwied, DE	(11) 0 607 090 (51) A61F 13/15 (73) FORT JAMES FRANCE, 11, route Industrielle, 68320 Kunheim, FR	
II.12(8)	(11) 0 484 281 (51) C07K 7/64 (73) Novartis AG, Schwarzwaldallee 215, 4058 Basel, CH	(11) 0 610 380 (51) G10K 9/22 (73) GYÖRGY, László, Széchenyi u. 1/9, H-2013 Pomáz, HU	
<ul style="list-style-type: none"> • Patentinhaber (Name/Anschrift) • Proprietor of patent (name/address) • Titulaire du brevet (nom/adresse) 	(84) BE CH DK ES FR GB GR IT LI LU NL SE (73) SANDOZ-PATENT-GMBH, Humboldtstrasse 3, 79539 Lörrach, DE	(11) 0 611 901 (51) F16F 13/00 (73) BTR Antivibration Systems Germany GmbH, Gneisenaustrasse 15, 80992 München, DE	
(11) 0 632 182 (51) E05F 15/16 (73) Vio, Giancarlo, 4, Via Briccofiore, 14040 Cortiglione, Frazione San Martino di Briccofiore, IT Berta, Roberto, 4, Via Alberini, 15100 Alessandria, IT Mangini, Roberto, Ing., 16, Via Monterotondo, 15100 Alessandria, IT	(84) DE (73) SANDOZ-ERFINDUNGEN VERWALTUNGSGESELLSCHAFT M.B.H., Brunner Strasse 59, 1235 Wien, AT	(11) 0 612 800 (51) C08L 23/10 (73) MITSUI CHEMICALS, INC., 2-5, Kasumigaseki 3-chome, Chiyoda-ku, Tokyo, JP	
II.12(9)	(11) 0 486 006 (51) A61F 13/15 (73) Kimberly-Clark Worldwide, Inc., 401 North Lake Street, Neenah, Wisconsin 54956, US	(11) 0 620 529 (51) G06T 11/00 (73) Casio Computer Co., Ltd., 6-2, Hon-machi 1-chome, Shibuya-ku, Tokyo 151-8543, JP	
<ul style="list-style-type: none"> • Patentinhaber (Rechtsübergang) • Proprietor of patent (transfer of rights) • Titulaire du brevet (transfer de droits) 	(11) 0 491 347 (51) A61F 13/62 (73) KIMBERLY-CLARK WORLDWIDE, INC., 401 North Lake Street, Neenah, Wisconsin 54956, US	(11) 621 015 (51) A61F 2/06 (73) Schneider (Europe) GmbH, Ackerstrasse 6, 8180 Bülach, CH	
(11) 0 145 691 (51) C08L 55/02 (73) BAYER ANTWERPEN N.V., Haven 507, Scheldelaan 420, 2040 Antwerpen, BE	(11) 0 505 209 (51) B32B 27/32 (73) MITSUI CHEMICALS, INC., 2-5, Kasumigaseki 3-chome, Chiyoda-ku, Tokyo, JP SHELL OIL COMPANY, One Shell Plaza, P.O. Box 2463, Houston, Texas 77252-2463, US	(11) 0 622 975 (51) H05B 33/14 (73) MITSUI CHEMICALS, INC., 2-5, Kasumigaseki 3-chome, Chiyoda-ku, Tokyo, JP	
(11) 0 257 102 (51) A61K 31/505 (73) MITSUI CHEMICALS, INC., 2-5, Kasumigaseki	(11) 0 520 884 (51) A61F 13/15 (73) FORT JAMES FRANCE, 11, route Industrielle, 68320 Kunheim, FR	(11) 0 628 050 (51) C07H 3/02 (73) JAPAN as represented by DIRECTOR GENERAL OF NATIONAL FOOD RESEARCH INSTITUTE, MINISTRY OF AGRICULTURE, FORESTRY AND FISHERIES, 2-1-2, Kamnondai, Tsukuba-shi, Ibaraki 305, JP ASAI GERMANIUM RESEARCH INSTITUTE CO., LTD., 7, Kandakajicho 3-chome, Chiyoda-ku, Tokyo 101, JP	
	(11) 0 523 683 (51) A61F 13/46 (73) KIMBERLY-CLARK WORLDWIDE, INC., 401 North lake Street, Neenah, Wisconsin 54956, US	(11) 0 629 592 (51) C03C 15/00 (73) Schott Glas, Hattenbergstrasse 10, 55122 Mainz, DE (84) CH DE FR LI NL	



HANDBOOK ON INDUSTRIAL PROPERTY INFORMATION AND DOCUMENTATION

Ref.: Archives

page: 16

Section 4, page 7

3-chome, Chiyoda-ku, Tokyo, JP



HANDBOOK ON INDUSTRIAL PROPERTY INFORMATION AND DOCUMENTATION

Section 4, page 8

Example 7: Announcements in the Patent Gazette of Slovakia concerning changes of proprietorship by using codes provided for in WIPO Standard [ST.17](#)



PD9A

Vo Vestníku č. 3/94 boli v prevodoch prílohok vynálezov uvedené nesprávne číslo AO/P, dátum účinnosti a bola nesprávne uvedená adresa nadobúdateľa. Správne znenie:

AO/P	PV	Pôvodný majiteľ	Nadobúdateľ	Dátum účinnosti
239 153	5381-83	VÚSAPL Nitra, Novozámocká cesta, 950 37 Nitra a Plastika a.s., Novozámocká cesta, 949 53 Nitra	PLASTIKA a.s., Novozámocká cesta, 949 53 Nitra	30.12.1993
272 703	3142-86	VÚSAPL Nitra, Novozámocká cesta, 950 37 Nitra a Plastika a.s., Novozámocká cesta, 949 53 Nitra	PLASTIKA a.s., Novozámocká cesta, 949 53 Nitra	30.12.1993
235 833	2229-83	Vysoká škola chemicko- technologická, Technická 5, 166 28 Praha	Vysoká škola chemicko- technologická, Technická 5, 166 28 Praha a DUSLO, s.p., 927 03 Šafa	31.12.1993
268 803	6546-85	GLAXO GROUP LIMITED, GB;	AMERICAN CYANAMID COMPANY, One Cyanamid Plaza Wayne, New Jersey 07 470, US;	14.12.1993

Vo Vestníku č. 4/94 boli uverejnené nesprávne údaje v ponukách licencií. Správne znenie:

TF9A

AO 249 872	PV 7421-84	Zariadenie na meranie odporu penetrácie
P 276 518	PV 400-90	Biopreparát na ochranu osiva pšenice
AO 230 284	PV 6706-82	Semobybný vyberač sládky
P 277 199	PV 4926-89	Biologický aktívna zmes
AO 226 625	PV 5041-81	Zariadenie na zvýšenie intenzity mechanického opotrebenia
AO 220 270	PV 6146-81	Zariadenie na skúšanie poškodených zrnin poľnohospodárskych plodín
AO 238 510	PV 3435-83	Zariadenie na skúšanie abrazívneho opotrebenia pri spolupôsobení rázov
AO 274 962	PV 4313-88	Upravená hubica pre naváranie, vychyľujúca elektródu pomocou kulisového mechanizmu
AO 274 960	PV 4511-88	Upravená hubica pre navarovanie s vychyľujúcou elektródou pomocou vačky
AO 251 491	PV 121-85	Kombinovaná prenosná vozovka
AO 251 490	PV 122-85	Prenosná vozovka
AO 251 974	PV 2933-85	Zariadenie na obalovanie flexibilných rúrok

TF9Q

Vo Vestníku č. 4/94 v zapísanom priemyselnom vzore
 24092 chýbali údaje o prioritě. Údaje o prioritě:
 (31) M 92 05 312.2
 (32) 16.07.92
 (33) DE

Vo Vestníku č. 5/94 v zapísanom priemyselnom vzore č.
 24095 chýbali údaje o prioritě. Údaje o prioritě:
 (31) 419/92
 (32) 08.06.92
 (33) FI

[Section 5 follows]



HANDBOOK ON INDUSTRIAL PROPERTY INFORMATION AND DOCUMENTATION

SECTION 5

EXAMPLES OF SUPPLEMENTS

Example 1: Announcement in the PCT Gazette of the later publication of an international search report

18/1998

7 May/mai 1998

PCT Gazette - Section II - Gazette du PCT

8867

**ANNOUNCEMENT OF THE LATER PUBLICATION
OF INTERNATIONAL SEARCH REPORTS (Continued)**

**ANNONCE DE LA PUBLICATION ULTÉRIEURE
DE RAPPORTS DE RECHERCHE INTERNATIONALE (Suite)**

International Application Numbers Numéros des demandes internationales	International Publication Numbers Numéros de publication internationale	First International Patent Classification Symbols Premiers symboles de la classification internationale des brevets
PCT/US97/11725	WO 98/02905	H01L 2110
PCT/US97/11895	WO 98/03847	A61B 5/00
PCT/US97/12150	WO 98/02888	G21C 17/08
PCT/US97/12284	WO 98/01125	A61K 31/215
PCT/US97/12456	WO 98/02558	C12N 15/62
PCT/US97/12648	WO 98/02886	G11C 8/00
PCT/US97/12868	WO 98/06746	A61K 48/00
PCT/US97/12902	WO 98/04143	A23B 4/20
PCT/US97/13104	WO 98/01956	H04M 1/00
PCT/US97/13114	WO 98/02984	H04B 1/707
PCT/US97/13352	WO 98/05362	A61K 47/48
PCT/US97/13376	WO 98/07286	H04Q 7/32
PCT/US97/13436	WO 98/08290	H02K 1/00
PCT/US97/13469	WO 98/06841	C12N 15/12
PCT/US97/13521	WO 98/04242	A61K 48/00
PCT/US97/13605	WO 98/05331	A61K 31/425
PCT/US97/13626	WO 98/05300	A61K 9/107
PCT/US97/13673	WO 98/05011	G07F 19/00
PCT/US97/13756	WO 98/05363	A61K 47/48
PCT/US97/13759	WO 98/06823	C12N 5/08
PCT/US97/13882	WO 98/05323	A61K 31/335
PCT/US97/13884	WO 98/06248	C12N 15/62
PCT/US97/13910	WO 98/06747	A61K 38/18
PCT/US97/14121	WO 98/08344	G06F 3/00
PCT/US97/14221	WO 98/06851	C12N 15/31
PCT/US97/14253	WO 98/06461	A63B 63/08
PCT/US97/14508	WO 98/07905	D01D 5/11
PCT/US97/14540	WO 98/07809	C11D 3/50
PCT/US97/14641	WO 98/07855	C12N 15/12
PCT/US97/14654	WO 98/07955	E21B 29/00
PCT/US97/15048	WO 98/07908	D01D 5/11
PCT/US97/15122	WO 98/08924	C12D 1/62
PCT/US97/15294	WO 98/08536	A61K 38/17
PCT/US97/15315	WO 98/11226	C12N 15/19
PCT/US97/15457	WO 98/13077	A61M 5/00
PCT/US97/15498	WO 98/09693	A63F 1/00
PCT/US97/15572	WO 98/09618	A61K 31/40
PCT/US97/15606	WO 98/10069	C12N 15/12
PCT/US97/16041	WO 98/11243	C12N 15/86



HANDBOOK ON INDUSTRIAL PROPERTY INFORMATION AND DOCUMENTATION

Section 5, page 3

Example 2: Updated version of a first page of a PCT pamphlet published along with the international search report

PCT

WORLD INTELLECTUAL PROPERTY ORGANIZATION International Bureau



INTERNATIONAL APPLICATION PUBLISHED UNDER THE PATENT COOPERATION TREATY (PCT)

(51) International Patent Classification⁶ : A61K 31/215	A3	(11) International Publication Number: WO 98/01125	
(21) International Application Number: PCT/US97/12284 (22) International Filing Date: 9 July 1996 (09.07.96) (30) Priority Data: 60/021,402 9 July 1996 (09.07.96) US (71) Applicant (for all designated States except US): SEPRACOR, INC. [US/US]; 111 Locke Drive, Marlborough, MA 01752 (US). (72) Inventor; and (75) Inventor/Applicant (for US only): ABERG, Gunnar [SE/US]; 902 Contento Street, Sarasota, FL 34242 (US). (74) Agents: HANSEN, Philip, E. et al.; Heslin & Rothenberg, P.C., 5 Columbia Circle, Albany, NY 12203 (US).		(43) International Publication Date: 15 January 1998 (15.01.98) (81) Designated States: AL, AM, AT, AU, AZ, BA, BB, BG, BR, BY, CA, CH, CN, CU, CZ, DE, DK, EE, ES, FI, GB, GE, HU, IL, IS, JP, KE, KG, KP, KR, KZ, LC, LK, LR, LS, LT, LU, LV, MD, MG, MK, MN, MW, MX, NO, NZ, PL, PT, RO, RU, SD, SE, SG, SI, SK, TJ, TM, TR, TT, UA, UG, US, UZ, VN, ARIPO patent (GH, KE, LS, MW, SD, SZ, UG, ZW), Eurasian patent (AM, AZ, BY, KG, KZ, MD, RU, TJ, TM), European patent (AT, BE, CH, DE, DK, ES, FI, FR, GB, GR, IE, IT, LU, MC, NL, PT, SE), OAPI patent (BF, BJ, CF, CG, CI, CM, GA, GN, ML, MR, NE, SN, TD, TG). Published <i>With international search report Before the expiration of the time limit for amending the claims and to be republished in the event of the receipt of amendments.</i>	(88) Date of publication of the international search report 7 May 1998 (07.05.98)
(54) Title: DEXTROROTATORY ISOMERS OF OXYBUTYNIN AND DESETHYLOXYBUTYNIN IN THE TREATMENT OF GASTROINTESTINAL HYPERACTIVITY (57) Abstract A method for treating gastrointestinal hyperactivity, irritable bowel syndrome and other motility disorders involving the gastrointestinal tract is disclosed. The method comprises administering a therapeutically effective amount of (S)-oxybutynin, (S)-desethyloxybutynin, or a pharmaceutically acceptable salt thereof, substantially free of the corresponding R enantiomer.			



Section 5, page 4

Example 3: Announcement in the PCT Gazette of the later publication of revised versions of international search reports

8864

PCT Gazette - Section II - Gazette du PCT

18/1998
7 May/mai 1998

**ANNOUNCEMENT OF THE LATER PUBLICATION OF REVISED VERSIONS
OF INTERNATIONAL SEARCH REPORTS**

**ANNONCE DE LA PUBLICATION ULTÉRIEURE DE VERSIONS RÉVISÉES
DE RAPPORTS DE RECHERCHE INTERNATIONALE**



Revised versions of international search reports established in relation to the international applications listed below have been issued by the competent International Searching Authorities. The said revised versions have been published on the same date as the present issue of the PCT Gazette, together with updated versions of the front pages of the corresponding pamphlets bearing (in the language of publication) the indication "Published with a revised version of the international search report."

L'administration chargée de la recherche internationale compétente a établi des versions révisées des rapports de recherche internationale relatifs aux demandes internationales mentionnées ci-dessous. Lesdites versions révisées sont publiées à la date de parution du présent numéro de la Gazette du PCT, avec des versions mises à jour des pages de couverture des brochures correspondantes portant (dans la langue de publication) la mention "Publiée avec une version révisée du rapport de recherche internationale".

International Application Numbers	International Publication Numbers	International Publication Numbers	
Numéros des demandes internationales	Numéros de publication internationale	Numéros de publication internationale	
PCT/CA97/00245	WO 97/38010	C07K	14/00
PCT/EP97/03087	WO 97/49650	C04B	41/87
PCT/FI 97/00264	WO 97/41048	B65G	1/08

[End of Document]