



Topic 19: **Using EPO's Patstat**

Lutz Mailänder
Head, Patent Information Section
Global IP Infrastructure Sector

Rio de Janeiro
28 August 2013

What is Patstat ?

- Dataset specifically designed for statistical analysis
- Snapshot of the EPO master documentation database (DOCDB) with worldwide coverage
- More than 20 tables with **bibliographic data** of about 70 million applications of more than 80 countries
 - Including titles and abstracts
- Plus **citation information**
- Plus **family information**
- Plus optional Inpadoc legal status data

- No fulltext; no claims; no drawings
- i.e. suitable for data mining; not suitable for text mining



Europäisches Patentamt
European Patent Office
Office européen des brevets

49

02

24

23

(19)

(11)

EP 1 000 000 A1

(12)

28

EUROPEAN PATENT APPLICATION

(43)

Date of publication:
17.05.2000 Bulletin 2000/20

(51) Int. Cl. 7:

B28B 5/02 B28B 7/00,
B28B 17/29

(21)

Application number: 99203729.1

01

17

46

16

(22)

Date of filing: 08.11.1999

33

(84)

Designated Contracting States:
AT BE CH CY DE DK ES FI FR GB GR IE IT LI LU
MC NL PT SE

ted Extension Sts
33 V MK RO SI

02

24

(30)

Priority: 12.11.1998 NL 1010536

09

(71)

Applicant: Beheermaatschappij De Boer
Nijmegen B.V.
6541 BS Nijmegen (NL)

06.15

(72)

Inventor: Kosman, Wilhelmus Jacobus Maria
6562 DA Groesbeek (NL)

(74)

Representative:
Schumann, Bernard Herman van der
Arnold & Siedsma,
Advocaten en Octrooigemachtigden,
Sweelinckplein 1
2517 GK Den Haag (NL)

06

15,18

(54)

Apparatus for manufacturing green bricks for the brick manufacturing industry

36

(57)

The invention relates to an apparatus (1) for manufacturing green bricks from clay for the brick manufacturing industry, comprising a circulating conveyor (3) carrying mould containers combined to mould containers (5) for clay arranged at means (9) for pressing and trimming clay in the mould containers, means (11) for supplying and placing take-off plates for the green bricks (13) and means for discharging green bricks released from the mould containers, characterized in that the apparatus further comprises means (22) for moving the mould containers (4) filled with green bricks such

English 39,29

38

protruding edge is formed on at least one side of the green bricks.

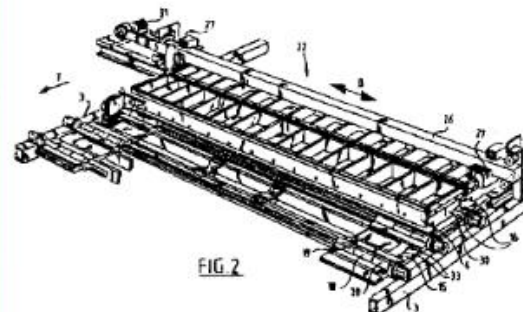


FIG. 2

Availability

- Availability (subscription based)
 - Raw data on DVD to set up local database; suggested database structure
 - Online application with user interface to conduct
 - specific analysis
 - visualization
 - export visualization

- Comprehensive documentation:

<http://www.epo.org/searching/subscription/raw/product-14-24.html>

Patstat online

- Web browser based application for searching the Patstat dataset, statistical analysis and visualization of the result set
- Availability through EPO's Patent Information Services for Experts (PISE)
 - Public version (requires user account)
 - Subscription based version (1 month trial):
<http://www.epo.org/searching/subscription/patstat-online.html>
- Updated 2/year (April, November)
- Training (see above website)
 - Manuals
 - Virtual classroom

Patent information services for experts

Global patent index (GPI)

PATSTAT online (Beta)

European patent bulletin

ESPACE EP

ESPACE national collections

ESPACE LEGAL

Official Journal on DVD

MIMOSA software

Discontinued products

Production timetable

Raw data products and test data

Download data

Special search programme

PATSTAT online (Beta)

PATSTAT, also known as the EPO Worldwide Patent Statistical Database, is a snapshot of the EPO master documentation database (DOCDB) with worldwide coverage. It contains more than 20 tables with bibliographic data, citations and family links of about 70 million applications of more than 80 countries.

There are two flavours of PATSTAT:

- **PATSTAT raw data**

For a subscription fee, the EPO provides the raw data on DVD and a suggested database structure. It is up to you / your IT department to implement your own local database and populate it with PATSTAT raw data. You have full control over this data to retrieve or manipulate it using SQL. PATSTAT raw data is **not** covered on this page, but you will find more information in the [raw data area](#).

- **PATSTAT online**

All you need is a browser to log in to a PATSTAT database which is hosted by the EPO. You retrieve data with SQL and then display, visualize and print the result. You may also download the result to process it further on your local PC.

Business use

PATSTAT is specifically designed for statistical analysis.

Access

Currently PATSTAT online is provided as a test version (beta) to all subscribers of PATSTAT raw data.

PATSTAT online is hosted on the PISE platform, i. e. EPOs [Patent information services for experts](#). A graphical user interface is provided which accepts SQL-like queries. Also, some special features for statistical analysis and visualisation are included.

- Free access is provided to the **Public mode of PATSTAT**, which allows the display of a fixed set of pre-defined charts.

- **Expert mode of PATSTAT**

Expert mode of PATSTAT is available with or without INPADOC legal status data.

Download

[PATSTAT user manual](#) (PDF, 1.1 MB)

[Data Catalog Oct 2012](#) (PDF, 853 KB)

[Data Catalog April 2013](#) (PDF, 588 KB)

[PATSTAT data elements](#) (PDF, 220 KB)

[SQL self-study course](#) (PDF, 500 KB)

[Sample queries and tips](#) (PDF, 92 KB)

[Comparison of PATSTAT offerings](#) (PDF, 68 KB)

[PATSTAT flyer](#) (PDF, 132 KB)

Print Share

See also

→ [Patent Information News](#)

Extensive documentation

<http://www.epo.org/searching/subscription/patstat-online.html>

Query 10 row(s)

```
SELECT nb_citations, appln_id, appln_auth, appln_nr,  
appln_kind, appln_filing_date  
FROM tis201_appln  
WHERE appln_auth = 'GB'  
ORDER BY nb_citations DESC  
LIMIT 10
```

Messages

13:35:50 [SELECT - 10 row(s), 0.164 secs] Result set fetched

Result table 1/10

Row	nb_citations	appln_id	appln_auth	appln_nr	appln_kind	appln_filing_date
1	1974	22723303	GB	8034377	A	1978-10-02
2	1974	22723302	GB	8034376	A	1978-10-02
3	1974	22723301	GB	8034375	A	1978-10-02
4	1974	22662339	GB	7838899	A	1978-10-02
5	1552	22775478	GB	8300341	A	1983-01-07
6	1552	22708312	GB	8011152	A	1980-04-02
7	1538	23058134	GB	9125996	A	1991-12-06
8	1377	22764339	GB	8219601	A	1982-07-07
9	1348	22704568	GB	8005280	A	1980-02-15
10	962	22736876	GB	8113706	A	1981-05-05


```
Query 10 doc. (10 row(s))  
  
SELECT nb_citations, appln_id, appln_auth, appln_nr,  
       appln_kind, appln_filing_date  
FROM tis201_appln  
WHERE appln_auth = 'GB'  
ORDER BY nb_citations DESC  
LIMIT 10
```

Messages
13:35:50 [SELECT - 10 row(s), 0.164 secs] Result set fetched

Result list 1 / 10

Application
GB 7838899 A 19781002
GB 8005280 A 19800215
GB 8011152 A 19800402
GB 8034375 A 19781002
GB 8034376 A 19781002
GB 8034377 A 19781002
GB 8113706 A 19810505
GB 8219601 A 19820707
GB 8300341 A 19830107
GB 9125996 A 19911206

Document 1 / 10

GB 7838899 A 19781002

Title
LIQUID JET RECORDING PROCESS AND APPARATUS THEREFOR

Application
GB 7838899 A 19781002

Publication
GB 2007162 B 19821027
GB 2007162 A 19790516

IPC
B41J 2/05 (2006.01)
B41J 2/135 (2006.01)
B41J 2/195 (2006.01)
B41J 2/21 (2006.01)

Thank you

lutz.mailander@wipo.int