



# **Preparation and Filing of Patent Applications in and from the Philippines “Practical Experiences”**

# Preparation of the Patent Application

1. Conduct meetings with the inventor/client
2. Prepare a Non Disclosure Agreement (NDA)
3. Prepare a technical information sheet
4. Discuss the proposed invention with the inventor
  - what is the field of the invention/state of the art
  - what is/are the problem/s being solved by the invention
  - what is/are the proposed technical solution/s
5. Actual Apparatus, if any
6. Conduct Plant Visits, if necessary
7. Search and patent drafting
8. Discussing and finalizing draft with the inventor

# Filing of Patent Application in the Philippines

## 1. Filing patent applications (Direct Route) - Local

### - Compete application (Application No. & Filing Date)

- (a) An express or implicit indication that a Philippine patent is sought;
- (b) Information identifying the applicant ( Filled- Up Request Form)
- (c) Description of the invention/drawings and one (1) or more

claims; and

- (d) Payment of the Fees \*within one (1) month from filing date.

### - Incomplete application

If one of the elements a, b, and c are not present in the filing of the application, applicant will be given two (2) months to complete the missing element

Filing date will be date when the missing element is submitted

Payment of the fees \*within one (1) month from filing date

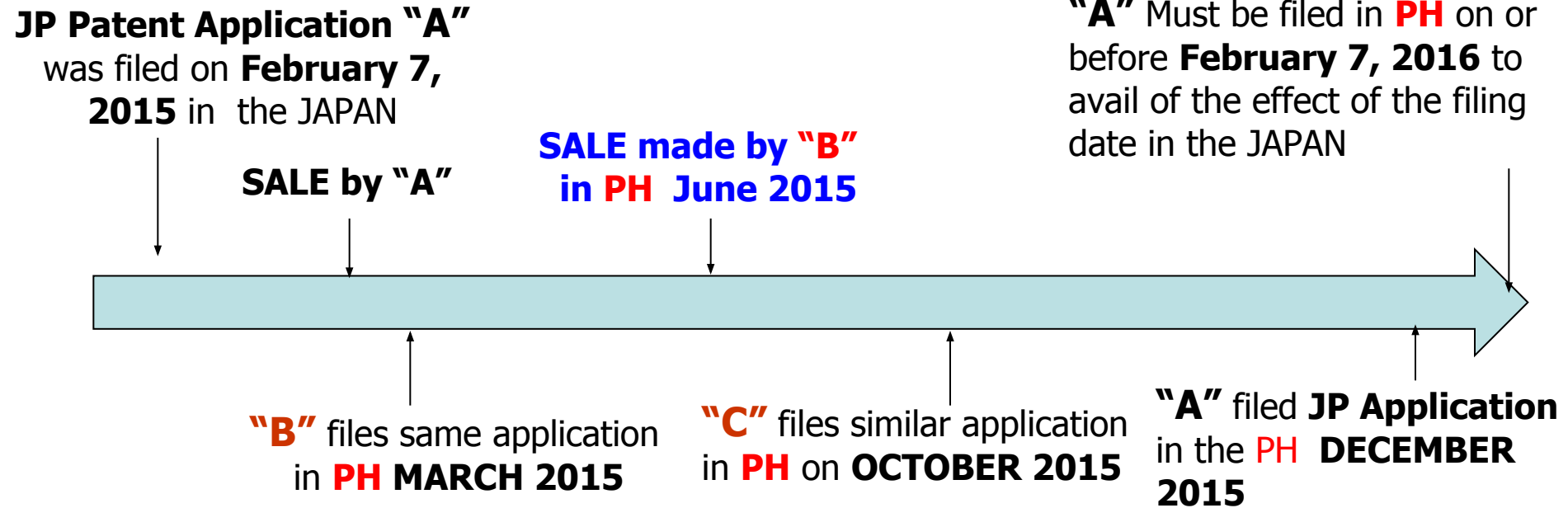
If missing element is not submitted, application is withdrawn

# Filing of Patent Application in the Philippines

## 1. Filing patent applications (Direct Route) - Foreign

- (a) Filled up Request Form
- (b) Description, Claims and Drawings
- (c) Documents for the “Claim for Convention Priority”
- (d) SPA/Deed of Assignment (can be filed later)
- (e) Payment of the Filing Fee

# Right of Priority Date



# Filing of Patent Application in the Philippines

## 1. Filing a PCT NATIONAL PHASE APPLICATION

- (a) Filled up Request Form for PCT National Phase
- (b) Description, Claims and Drawings
- (c) Documents for filing Claim for Convention Priority
- (d) SPA/Deed of Assignment (can be filed later)
- (e) Payment of the Filing Fee

# Filing of Patent Application in the Philippines

## 1. Filing a Divisional Application

- Based on the restriction requirement by the examiner for lack of unity of invention
- Division application is filed within four (4) months from the date the requirement for division is made final (Rules 607-620 of the IRR)
- Effective Filing Date is the Filing Date of the parent application

## 2. Requirements for Filing Divisional application

(a) Indication of the claims or group of the invention (b) Filled up Request Form, (c) Certified copy of Description, Claims and Drawings of the parent application, ((d) Payment of the Filing Fee

# Filing of Patent Application in the Philippines

## 2. Requirements for Filing Divisional Application

- (a) Indication of the claims or group of the invention relating the divisional application
- (b) Filled up Request Form
- (c) Certified true copy of Description, Claims and Drawings of the parent application,
- (d) Specification and the claims relating to the divisional application
- (e) Payment of the Filing Fee



# Filing of Patent Application in the Philippines

## 1. Filing a PCT International Phase Application

- (a) Filled up Request Form for PCT (IPPHL Website)
- (b) Description, Claims and Drawings
- (c) Payment of the Filing Fee (IPPHL Website)

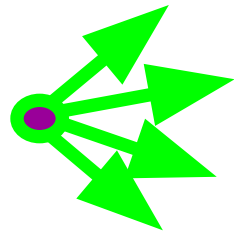
# Filing of Patent Application From the Philippines

## How can an invention be protected abroad?

### 3 Options:

1.

Separate  
patent  
application



2.

Home  
application

Priority  
Date

12  
mos.

Separate  
patent  
application

Paris Convention



3. File an application under the PCT

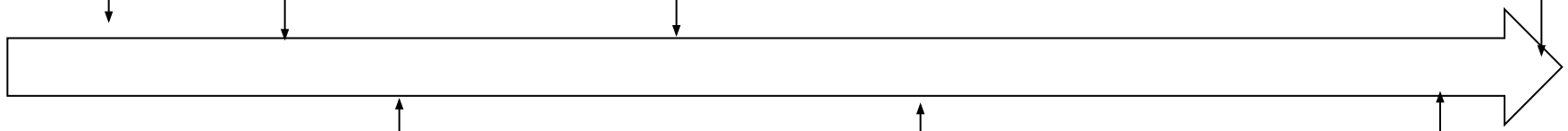
# Right of Priority Date

Patent Application **"A"** was filed on **February 7, 2015** in the PHILIPPINES

**"A"** Must be filed in Japan on or before **February 7, 2016** to avail of the effect of the filing date in the PHILIPPINES

**SALE by "A"**

**SALE by "B" in Japan  
June 2015**



**"B"** files same application in Japan **MARCH 2015**

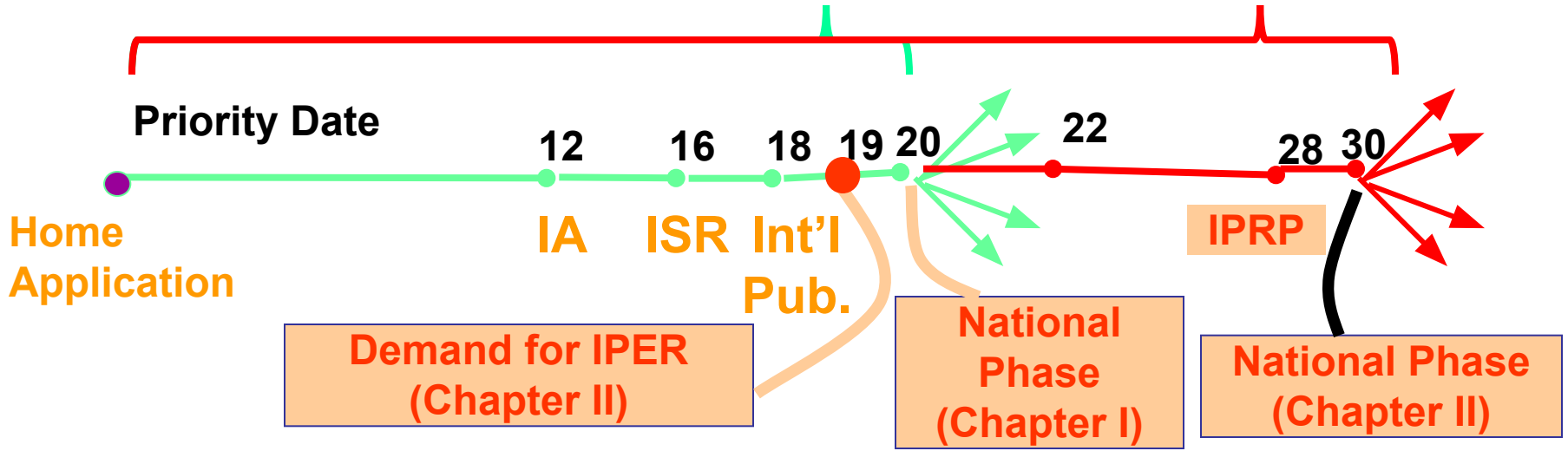
**"C"** files similar application in Japan **OCTOBER 2015**

**"A"** filed in the Japan **DECEMBER 2015**

# PCT Route

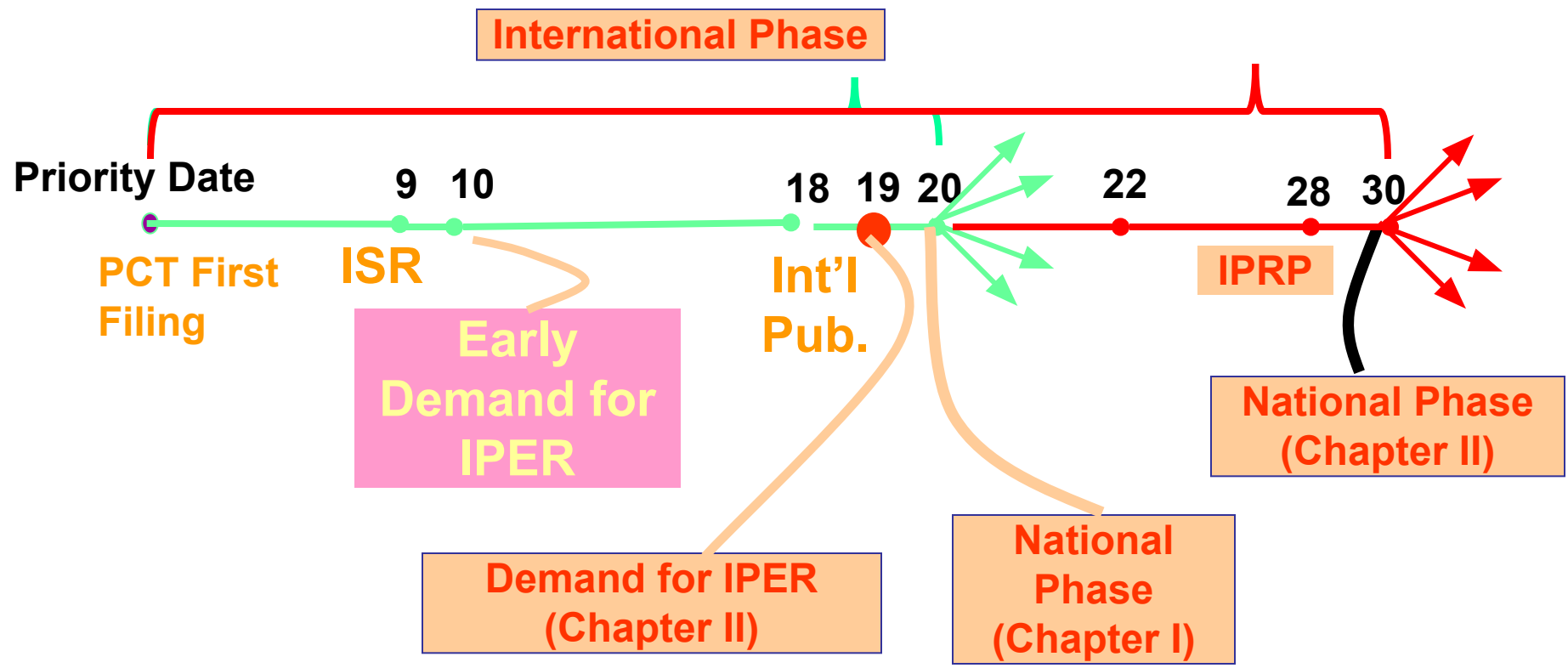
(incorporating the Paris Convention Route)

International Phase



# PCT Route

## PCT filing as first filing



# 1. PROCESS FLOW FOR THE GRANT OF A PATENT

## APPLICANT

(First Party)

### Filing Of:

- Request
- Description
- Fees upon filing or within a 30-day grace period

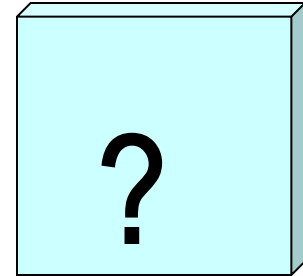
## IPOPHL

(Second Party)

- Receives
- Assigns Filing Date
- Conducts "FORMALITY  
"EXAMINATION"
  - Specification/Claim Format
  - Contents of the Request Form
  - Drawings
  - Appointment of Resident Agent
  - Other Formal Matters

## PUBLIC

(Third Party)



## 2. PROCESS FLOW FOR THE GRANT OF A PATENT

### APPLICANT

(First Party)

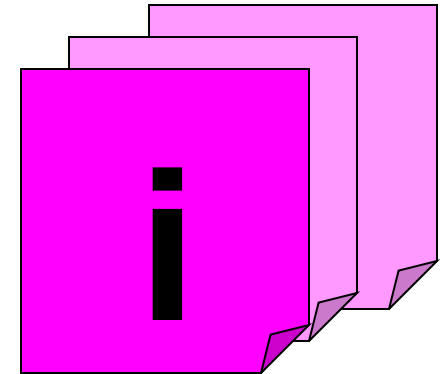
### IPOPHL

(Second Party)

### PUBLIC

(Third Party)

- Sends Examiner's Action,  
If necessary, two (2) months to  
respond, two (2) extensions  
Ex Parte Proceedings
- Application CLASSIFICATION
- Conducts Prior Art SEARCH
- PUBLICATION of the Application  
with Search Report after 18 months  
from the filing date in the IPOPHL e-  
gazette
- Sending of the Published Information  
to the relevant Industries, Government  
Agencies, Universities and Schools



**Third Party Observations**

# 3. PROCESS FLOW FOR THE GRANT OF A PATENT

## APPLICANT

(First Party)

- Request for **SUBSTANTIVE EXAMINATION**, if desired

## IPOPHL

(Second Party)

- Conducts **SUBSTANTIVE EXAMINATION**
  - Industrial Applicability**  
**Novelty; and Inventiveness**  
**Sufficiency of Disclosure,**  
**Unity of Invention**  
**Considers 3<sup>rd</sup> Party Observations**
  - Other Issues**
  - Sends Communication,**  
**if necessary (Examiner's ACTION)**

## PUBLIC

(Third Party)



# 4. PROCESS FLOW FOR THE GRANT OF A PATENT

## APPLICANT

(First Party)

- Replies, if required
- APPEAL
- Pays Maintenance Fee

## IPOPHL

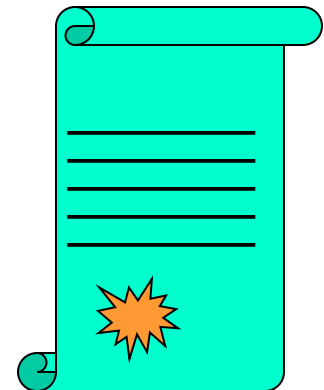
(Second Party)

- FINAL REFUSAL
- GRANT (Letters Patent)
- PUBLICATION of GRANT
- Maintains Patent

## PUBLIC

(Third Party)

- May file Petition for Cancellation



# PRESENTATION OF SAMPLE BOP FORMS



PU20121344

**[19] Intellectual Property Office**  
**Bureau of Patents**

**[11] No. : 12008000084**  
**[45] Issued: AUG 1 7 2012**

[21] Application No. : 12008000084  
 [22] Filing Date : 03/13/2008  
 [43] Publication Date : 11/09/2009  
 [60] Division of Application No. :

[54] Title: A DYNAMIC DISPLAY SIGNAGE SYSTEM

[71] Applicant(s): RAFAEL Q. UY, of Imus, Cavite, Philippines

[72] Inventor(s): RAFAEL Q. UY, of Imus, Cavite, Philippines

[73] Assignee(s): NONE

[31] Foreign Application Priority Data: NONE

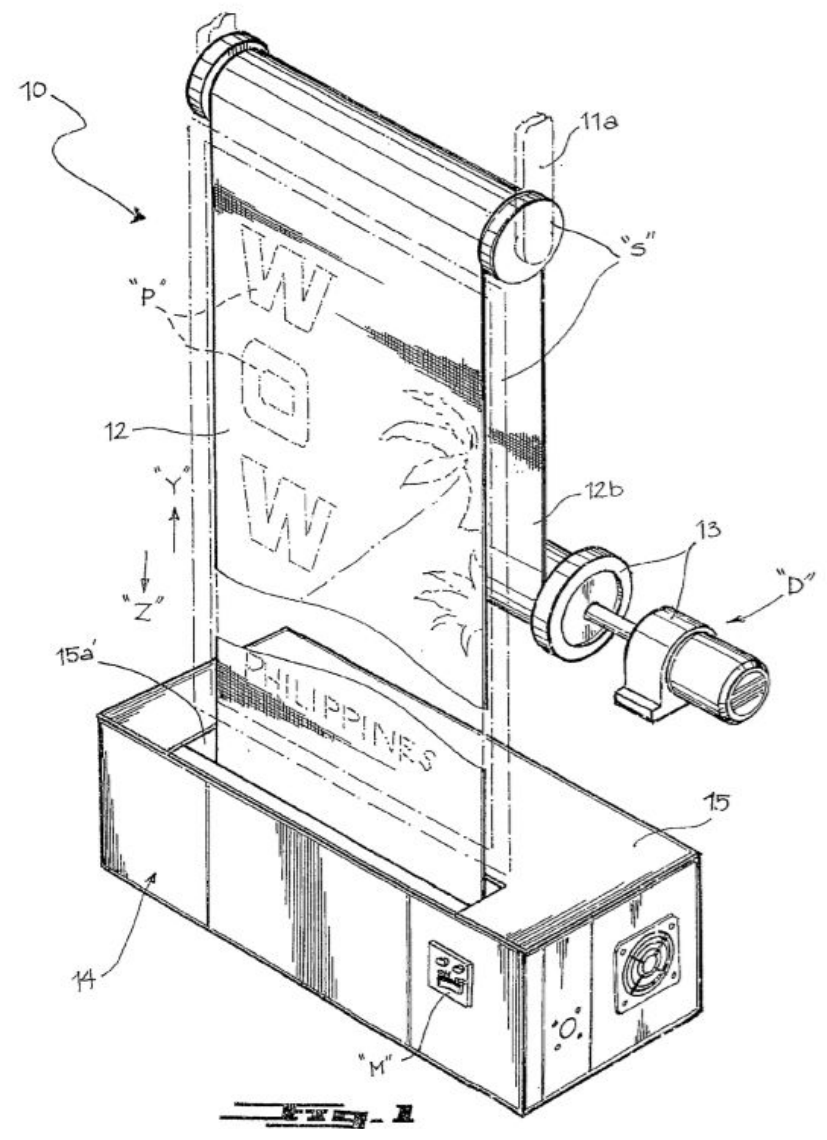
[51] Int. Class<sup>8</sup> ..... G06F11/18

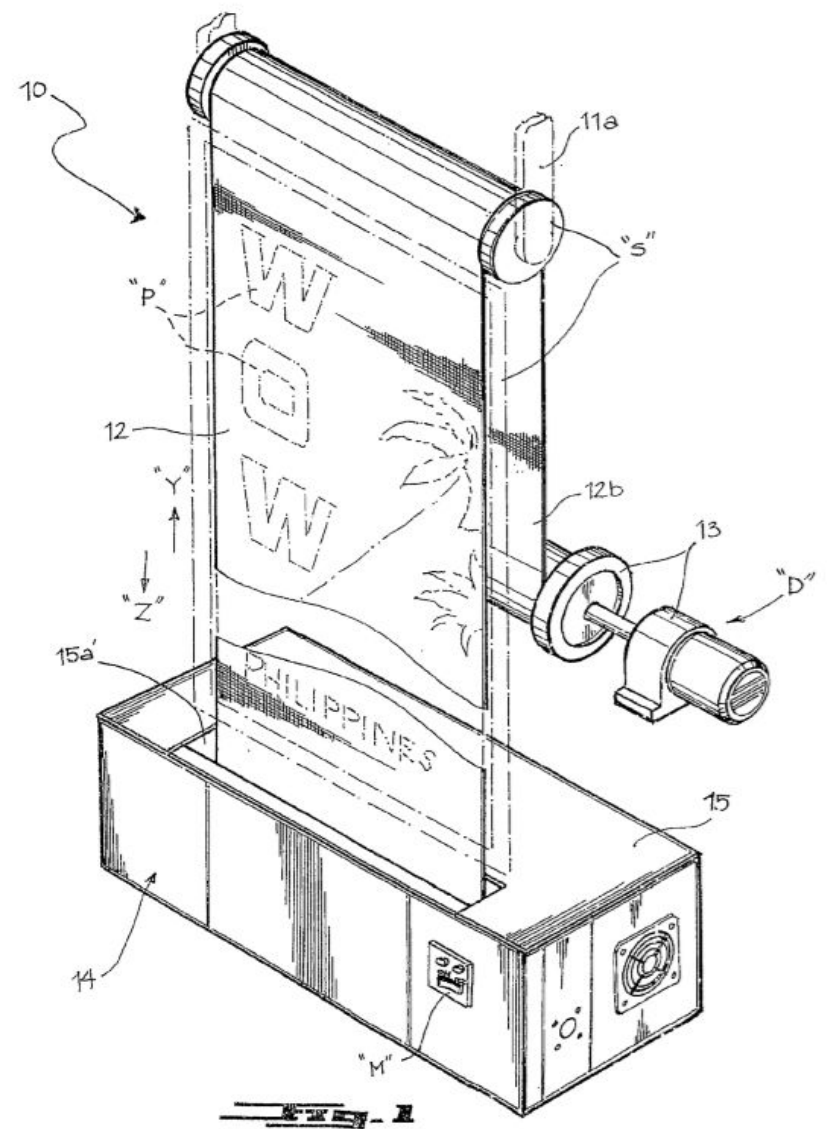
[58] Field of Search..... G06F11/18

[56] Reference(s) Cited and/or Considered: NONE

[57] **A B S T R A C T**

(see abstract on next page)







US008286377B2

(12) **United States Patent**  
**Uy**

(10) **Patent No.:** **US 8,286,377 B2**  
(45) **Date of Patent:** **Oct. 16, 2012**

- (54) **DYNAMIC DISPLAY SIGNAGE SYSTEM**
- (75) Inventor: **Rafael Q. Uy**, Imus Cavite (PH)
- (73) Assignee: **Media Pool Incorporated**, Mandaluyong (PH)
- (\* ) Notice: Subject to any disclaimer, the term of this patent is extended or adjusted under 35 U.S.C. 154(b) by 222 days.
- (21) Appl. No.: **12/921,706**
- (22) PCT Filed: **Mar. 13, 2009**
- (86) PCT No.: **PCT/PH2009/000002**  
§ 371 (c)(1),  
(2), (4) Date: **Sep. 9, 2010**
- (87) PCT Pub. No.: **WO2009/113885**  
PCT Pub. Date: **Sep. 17, 2009**
- (65) **Prior Publication Data**  
US 2011/0041369 A1 Feb. 24, 2011
- (30) **Foreign Application Priority Data**  
Mar. 13, 2008 (PH) ..... 1-2008-000084
- (51) **Int. Cl.**  
**G09F 11/08** (2006.01)
- (52) **U.S. Cl.** ..... **40/470; 40/514**

- (58) **Field of Classification Search** ..... 40/470,  
40/471, 514-517, 601; 242/538.1, 538  
See application file for complete search history.

(56) **References Cited**

**U.S. PATENT DOCUMENTS**

- 3,616,554 A \* 11/1971 Singer et al. .... 40/471  
3,726,031 A \* 4/1973 Singer ..... 40/471  
4,677,779 A \* 7/1987 Rodriguez ..... 40/514

**FOREIGN PATENT DOCUMENTS**

- GB 2211481 A \* 7/1989

\* cited by examiner

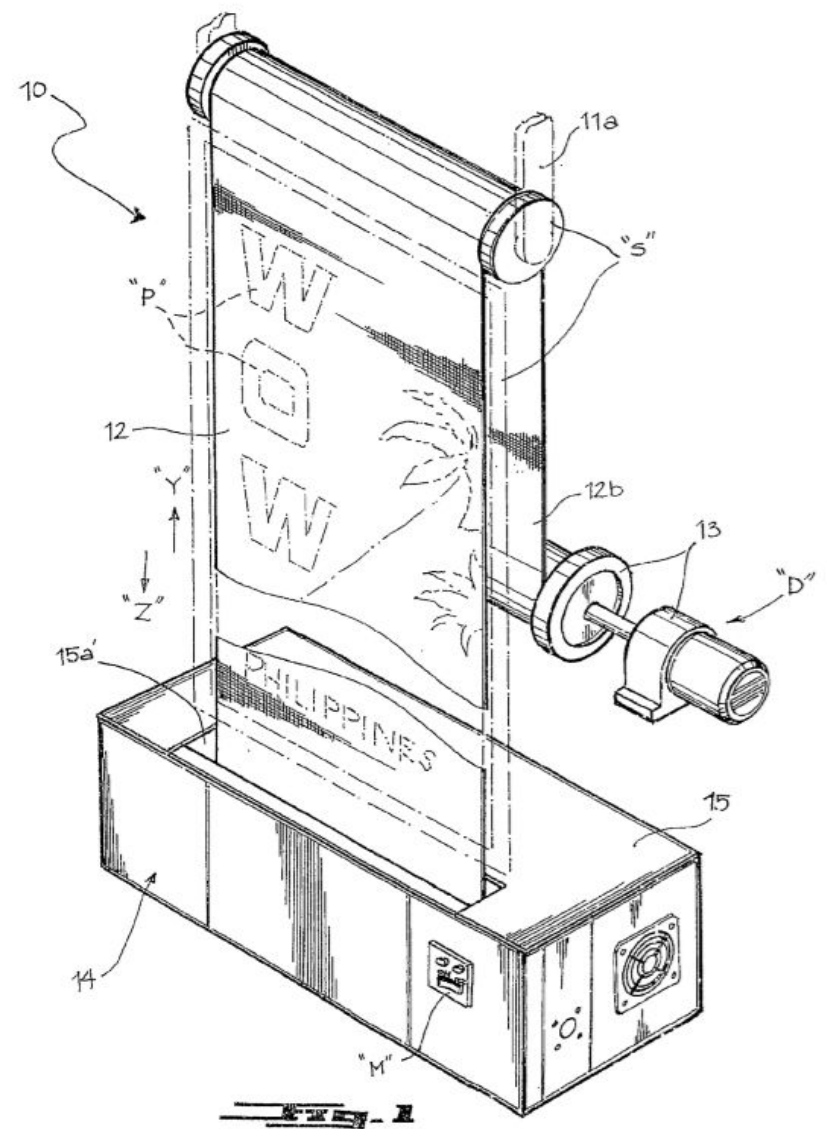
*Primary Examiner* — Casandra Davis

(74) *Attorney, Agent, or Firm* — Notaro, Michalos & Zaccaria P.C.

(57) **ABSTRACT**

The present invention relates to a dynamic display signage system comprising a supporting means, a substantially pliable display panel being secured in a substantially vertical manner on said supporting means, and a primary drive means to allow the upward and downward vertical displacement of said display panel along said supporting means, characterized in that said display panel being provided with a secondary drive means operatively connected at the lower portion thereof, said secondary drive means having an independent motion with respect to said primary drive means to allow a consequent independent motion of said display panel at a pre-selected tension in order to maintain the consistent viewable surface integrity of the said display panel as it is vertically displaced.

**18 Claims, 8 Drawing Sheets**



PHILIPPINE PATENT [19]

[11]  
[45]No.: 1-2006-000452  
Issued: July 19, 2007

[54] Title: AN APPARATUS FOR WASTE WATER TREATMENT

[72] Inventor(s): HERBERT CORNELIUS LANGEMAN, of Angeles City,  
Pampanga

[71] Applicant(s): HERBERT CORNELIUS LANGEMAN, of Angeles City,  
Pampanga

[22] Filed: September 20, 2006

[21] Application Serial No.: 1-2006-000452

**FOREIGN APPLICATION PRIORITY DATA**

[31] Number(s): None

[32] Date(s): None

[33] Country(ies): None

[52] PH Class..... 210/220

[51] Int. Class<sup>7</sup>..... C02F 3/00

[58] Field of Search..... C02F 3/00; 210/220

[56] Reference(s) Cited and/or Considered:

US Patent Nos.	5316671	Murphy	05/1994
	5374353	Murphy	12/1994
	6620321	Festa, et. al.	09/2003
	6036851	Simmering	03/2000
	6906164	Debruin	06/2005
	7008535	Spears, et. al.	03/2006



CLAIMS:

1. An apparatus for waste water treatment comprising  
 a conduit being made such that waste water for treating  
 is capable of flowing therein, a plurality of  
 5 electronically operated electrode slabs spacedly held  
 within said conduit, characterized in that a plurality of  
 waste water treating zones being formed in said conduit  
 said waste water treating zones being formed in a manner  
 wherein the flow of waste water along the conduit is  
 10 restrained thereby creating turbulence within said  
 conduit which causes an increase in amount of stabilized  
 oxygen in the waste water through treatment of electric  
 current by said electrode slabs.

2. An apparatus for waste water treatment according  
 15 to claim 1, characterized in that said electrode slabs  
 are being held within said conduit by spaced plates  
 provided thereof, each plates being arranged such that is  
 capable of holding and passing the electrode slabs, and  
 said treating zones are preferably constricted openings  
 20 defined by said electrode slabs and the apertures  
 provided on the spaced plates.

INTELLECTUAL PROPERTY  
 RECEIVED BY:  
 JUL 11

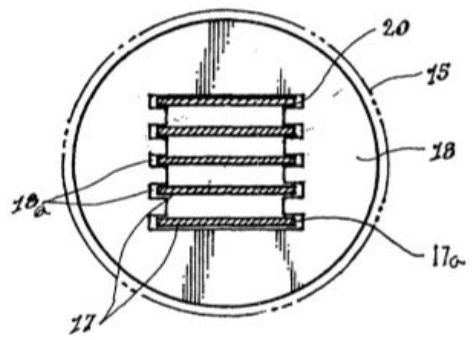


Fig. 4

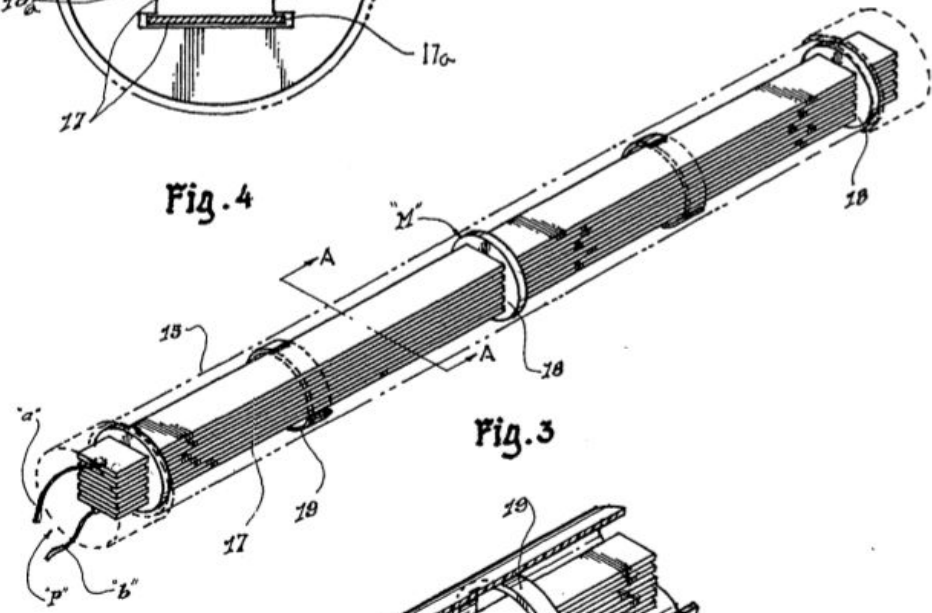


Fig. 3

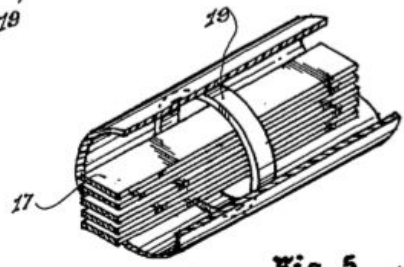


Fig. 5

*H. Langeman*  
 HERBERT CORNELIUS LANGEMAN  
 INVENTOR

RECEIVED BY: 

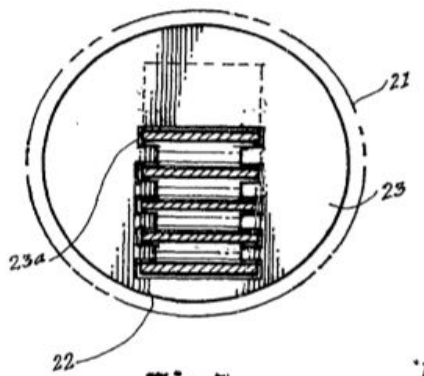


Fig. 7

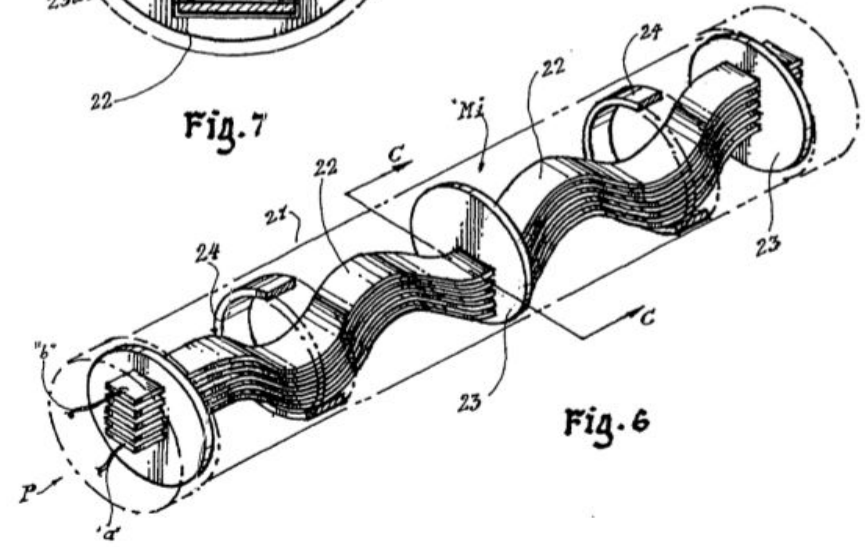


Fig. 6

  
 HERBERT CORELIUS LANGEMAN  
 INVENTOR