

**Utility Patent (Not Design Patent)**

**Country of Grant**



US007275887B2

**Start of Patent Rights**

**Title of Invention**

(12) **United States Patent**  
**Kek**

(10) **Patent No.:** US 7,275,887 B2  
(45) **Date of Patent:** Oct. 2, 2007

**Details of Inventor**

(54) **SECURING MEANS**  
(76) **Inventor:** **Chiang See Kek**, 119A Jalan SS 21/37, Damansara Utama, 47400 Petaling Jaya, Selangor (MY)  
(\* ) **Notice:** Subject to any disclaimer, the term of this patent is extended or adjusted under 35 U.S.C. 154(b) by 0 days.

3,272,952	A *	9/1966	McKeon	200/293
3,306,141	A *	2/1967	Hall et al.	81/177.85
3,728,761	A *	4/1973	Holly	411/80.1
4,012,155	A *	3/1977	Morris	403/290
5,143,500	A *	9/1992	Schuring et al.	411/339
5,775,859	A *	7/1998	Anscher	411/38
6,302,630	B1 *	10/2001	Grant	411/372.6
6,374,455	B1 *	4/2002	Regele et al.	16/2.1
6,769,849	B2 *	8/2004	Yoneoka	411/45
6,866,455	B2 *	3/2005	Hasler	411/21

**First filed in Malaysia**

(21) **Appl. No.:** 10/671,733  
(22) **Filed:** Sep. 29, 2003

\* cited by examiner

*Primary Examiner*—Gary S. Hartmann

(74) *Attorney, Agent, or Firm*—Birch, Stewart, Kolasch & Birch, LLP

**Classification of field of Technology**

(65) **Prior Publication Data**  
US 2005/0031407 A1 Feb. 10, 2005  
(30) **Foreign Application Priority Data**  
Aug. 8, 2003 (MY) ..... PI 20033018  
(51) **Int. Cl.**  
**F16B 19/00** (2006.01)  
(52) **U.S. Cl.** ..... 403/230; 403/289; 411/509  
(58) **Field of Classification Search** ..... 403/230, 403/231, 289, 290; 411/508, 509, 510, 913  
See application file for complete search history.

**Close Prior Art. Same field of Technology**

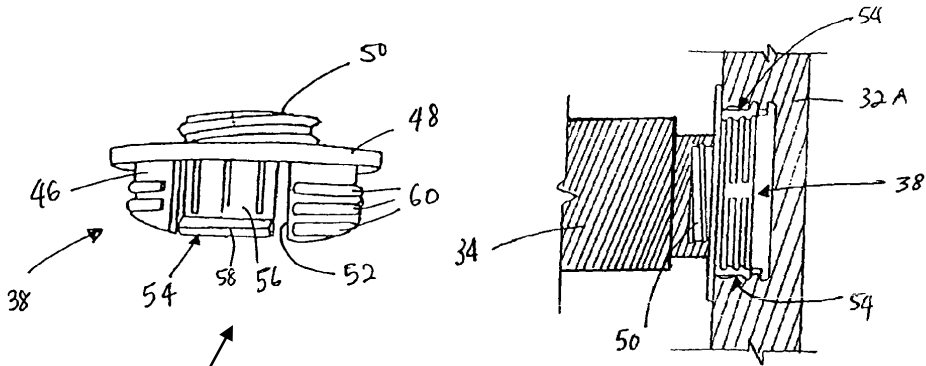
(56) **References Cited**  
U.S. PATENT DOCUMENTS  
2,956,605 A \* 10/1960 Rapata ..... 411/531  
3,153,975 A \* 10/1964 Rapata ..... 24/295

**Brief of Description**

(57) **ABSTRACT**

A means used for securing a first structure (32A) and a second structure (34) of a furniture (30) according to the present invention wherein the means comprises of a tubular receptacle (38) consisting of an internal cylindrical member spaced apart from an external cylindrical member and wherein both are integrally connected to a terminal end, and wherein the external cylindrical member includes at least one hinged member (54) and at least one groove (60) on its side perimeter wall (46) and wherein the receptacle (38) is introducible and securable into a bore (40) on the first structure (32A) of the furniture (30) in a tight manner by action of the hinged member (54) and groove (60).

15 Claims, 5 Drawing Sheets



**Representative Drawing of Invention**