

WIPO/IP/DDK/02/6(b)

ORIGINAL: English

DATE: November 2002



INTERNATIONAL INTELLECTUAL PROPERTY
TRAINING INSTITUTE
KOREAN INTELLECTUAL PROPERTY OFFICE



WORLD INTELLECTUAL
PROPERTY ORGANIZATION

**WIPO ASIAN REGIONAL SEMINAR ON AN
INTELLECTUAL PROPERTY STRATEGY FOR
SMALL AND MEDIUM-SIZED ENTERPRISES (SMEs)**

organized by
the World Intellectual Property Organization (WIPO)
in cooperation with
the International Intellectual Property Training Institute (IIPTI)
and
the Korean Intellectual Property Office (KIPO)

Daeduk, Daejeon, Republic of Korea, November 26 to 28, 2002

**CASE STUDY: IMPACT OF THE IP SYSTEM ON TECHNOLOGICAL INNOVATION
BY HIGH-TECH FIRMS, WITH PARTICULAR REFERENCE TO SMES**

*Document prepared by Dr. Karl Rackette,
Intellectual Property Attorney,
RACKETTE Partnerschaft Patentanwälte,
Freiburg, Germany*

WIPO Asian Regional Seminar on an Intellectual Property Strategy for Small and Medium-Sized Enterprises

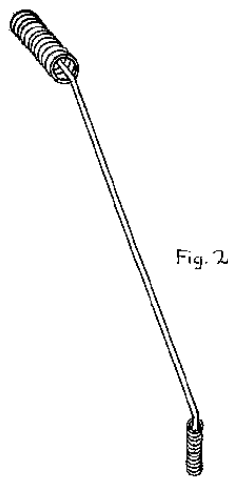
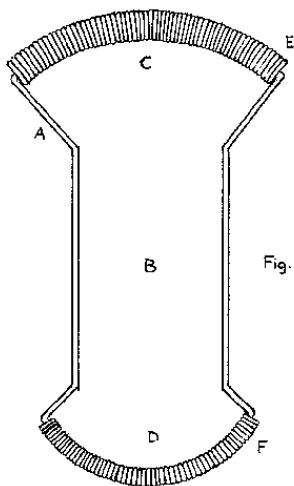
Daeduk, Daejeon, Republic of Korea
November 26 to 28, 2002

Case Study: Impact of the IP System on Technological Innovation by High-Tech Firms, with Particular Reference to SMEs

Karl Rackette

Freiburg, Germany
info@rackette.de

Arcuate Helical Spring



Inefficient Arcuate Helical Spring

Fig. 3

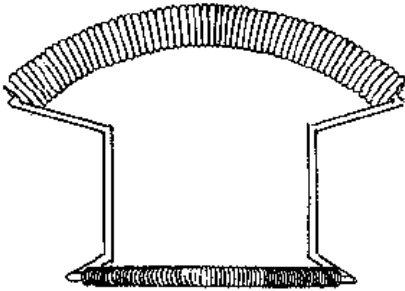
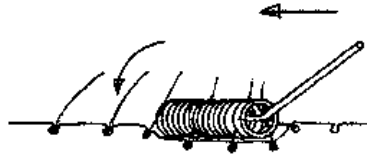


Fig. 4



Nov. 27, 2002

Case Study: Impact of the IP System on Technological Innovation

3

Swiss Patent for Fischer

Nr. 268696



SCHWEIZERISCHE EIDGENOSSENSCHAFT

EIDGENÖSSISCHES AMT FÜR GEISTIGES EIGENTUM

PATENTSCHRIFT

Veröffentlicht am 1. September 1950

Nr. 268696

Klasse 116/

Gesuch eingereicht: 2. September 1948, 10 Uhr. — Patent eingetragen: 31. Mai 1950.

HAUPTPATENT

Rudolf Fischer, Zürich (Schweiz).

Haarentfernungsapparat.

Der Haarentfernungsapparat nach vorliegender Erfindung kann zur Entfernung von Haaren pflanzlicher und tierischer Herkunft dienen. Er ist speziell für kosmetische Zwecke vorteilhaft.

dig ist, meist nicht selbst ausgeführt werden und kommt daher teuer zu stehen. ³⁵

4. Die Anwendung von die Haarwurzeln schädigenden Mitteln bringt die allgemeine Vergiftungsgefahr mit sich (Thalliumvergif-

Nov. 27, 2002

Case Study: Impact of the IP System on Technological Innovation

4

Helical Spring Driven in Sliding Motion

United States Patent [19] [11] **4,079,741**
Daar et al. [45] **Mar. 21, 1978**

[54] **HAIR PLUCKING DEVICE**

[76] **Inventors:** Yair Daar, 9 Rav-Ashi Street, Tel Aviv; Shimon Yahav, 11 Moshe Mizrahi St., Rehovot, both of Israel

[21] **Appl. No.:** 736,470

[22] **Filed:** Oct. 28, 1976

[30] **Foreign Application Priority Data**

Dec. 9, 1975 Israel 48625
 Aug. 12, 1976 Israel 50246

[51] **Int. Cl.²** **A61B 17/00**

[52] **U.S. Cl.** **128/355; 17/47**

[58] **Field of Search** **17/47; 128/355**

[56] **References Cited**

U.S. PATENT DOCUMENTS

1,232,617	7/1917	Shipp	128/355
1,743,590	1/1930	Binz	128/355
2,004,581	6/1935	Meyer	128/355
2,083,380	6/1937	Hudson	128/355
2,900,661	8/1959	Schnell	128/355 UX

Primary Examiner—Robert W. Michell
Assistant Examiner—Michael H. Thaler
Attorney, Agent, or Firm—Ostrolenk, Faber, Gerb & Soffen

[57] **ABSTRACT**

A skin-hair plucking device including a compact coiled member within a housing with a substantially smooth external surface exposed for the slidable engagement with the skin and motor driven means for alternately extending and reclosing the windings.

10 Claims, 12 Drawing Figures

Daar Mechanism

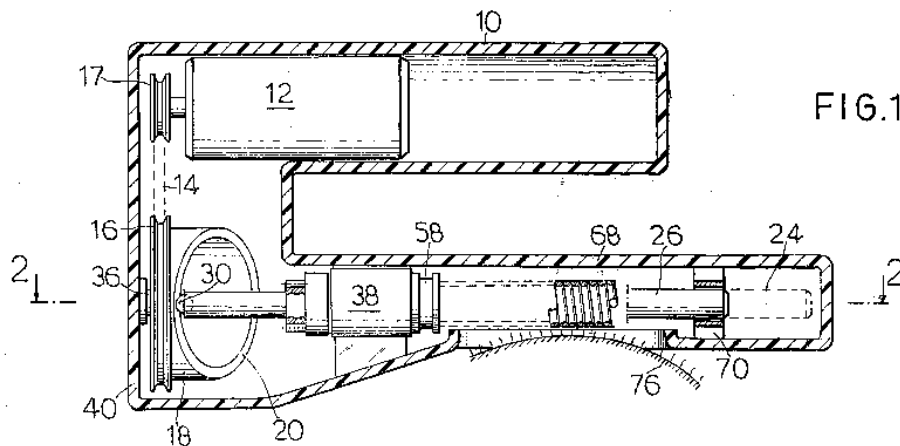
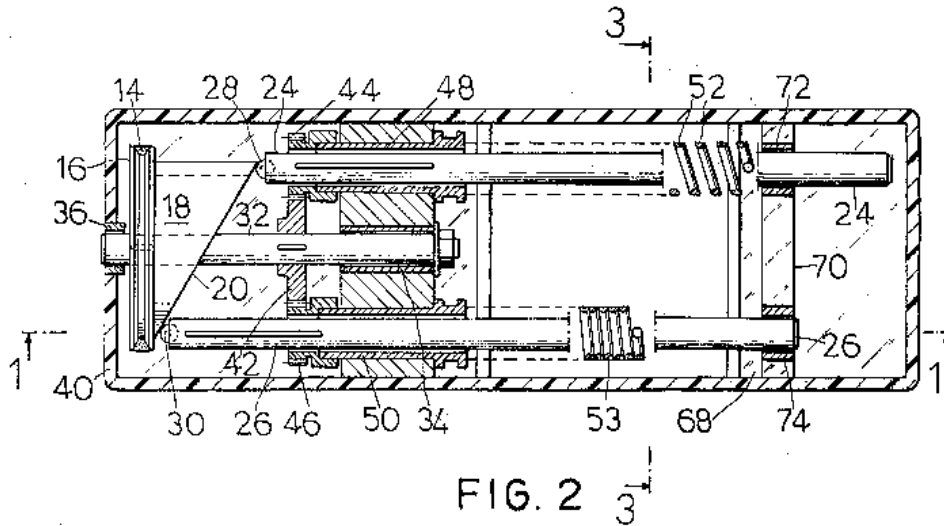


FIG. 1

Complicated Hair Plucking Device




Nov. 27, 2002

Case Study: Impact of the IP System on Technological Innovation

7

The Epilady Patent


 Europäisches Patentamt
 European Patent Office
 Office européen des brevets

Publication number: **0 101 656 B1**

EUROPEAN PATENT SPECIFICATION

Date of publication of patent specification: 05.11.86 Int. Cl.⁴: **A 45 D 26/00**
 Application number: **83401574.5**
 Date of filing: **29.07.83**

Apparatus for hair removal.

Nov. 27, 2002

Case Study: Impact of the IP System on Technological Innovation

8

Depilatory Apparatus

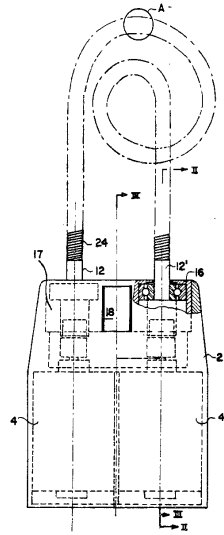


FIG. 1

Nov. 27, 2002

Case Study: Impact of the IP System on Technological Innovation

9

Helical Spring Employed

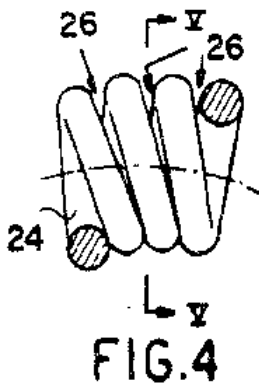


FIG. 4

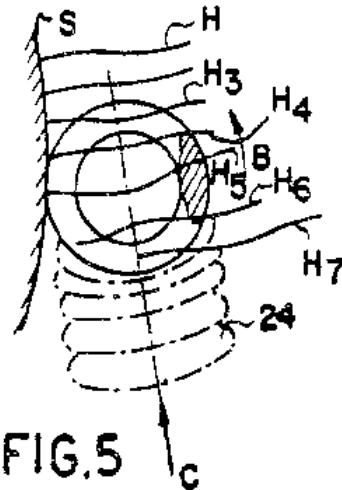


FIG. 5

Nov. 27, 2002

Case Study: Impact of the IP System on Technological Innovation

10

Infringing Device?



Europäisches Patentamt
European Patent Office
Office européen des brevets

Publication number: **0 290 119**
B1

EUROPEAN PATENT SPECIFICATION

Date of publication of the patent specification:
06.06.90

Int. Cl.: **A45D 26/00**

Application number: 88301927.5

Date of filing: 04.03.88

Depilatory device for removing hair.

Priority: 04.03.87 IL 61779

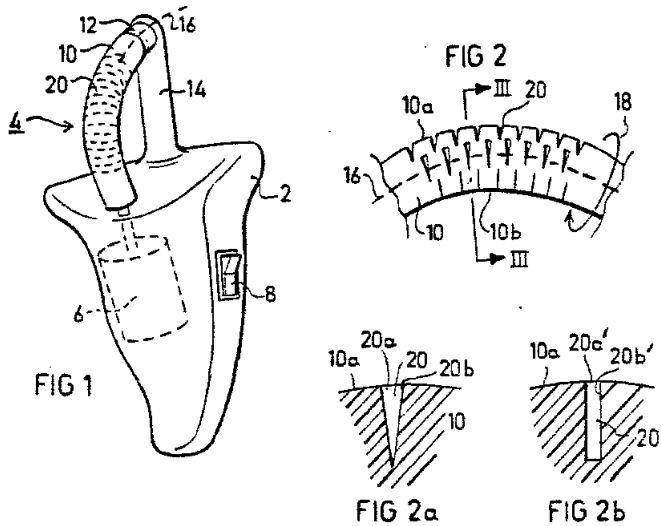
Proprietor: HAIR REMOVER LTD., 292 Dizengoff Street,
Tel-Aviv 63 117(IL)

Nov. 27, 2002

Case Study: Impact of the IP System on Technological Innovation

11

Rubber Rod With Slits



Nov. 27, 2002

Case Study: Impact of the IP System on Technological Innovation

12

Silk-épil

United States Patent [19]
Demeester

[11] **Patent Number:** **4,960,422**
[45] **Date of Patent:** **Oct. 2, 1990**

[54] **DEPILATING APPLIANCE**
[76] **Inventor:** Jacques Demeester, 1, rue Peron
F-78290, Croissy Sur Seine, France
[21] **Appl. No.:** 297,435
[22] **Filed:** Jan. 17, 1989
[30] **Foreign Application Priority Data**
Feb. 9, 1988 [FR] France 88 01499
[51] **Int. Cl.⁵** **A61B 17/00**
[52] **U.S. Cl.** **606/135**
[58] **Field of Search** 17/11.1 R, 47; 606/133,
606/131, 134

943472 3/1949 France 17/11.1 R
2556939 6/1985 France .
420470 12/1934 United Kingdom 17/11.1 R
461572 2/1937 United Kingdom 17/11.1 R

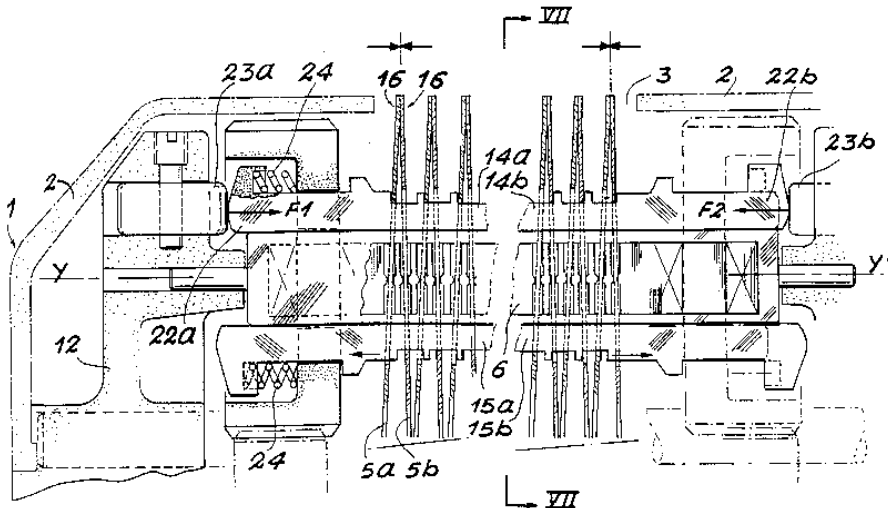
Primary Examiner—Michael H. Thaler
Attorney, Agent, or Firm—Young and Thompson

[57] **ABSTRACT**

A depilating appliance comprises a rotary depilation roller formed by a series of blades placed side by side. The blades of the roller are movably mounted on their driving shaft so as to be capable of pivoting about an axis perpendicular to the shaft. The depilation blades are actuated by means of sliding bars which are capable of producing a pivotal displacement of the blades at least once per revolution of the roller so that one blade pivots in one direction, the following blade pivots in the opposite direction, and each blade pivots about a separate and distinct axis perpendicular to the driving shaft. Two adjacent blades are thus clamped against each other opposite to the work surface, the hairs being then pinched between the two blades in order to be removed.

11 Claims, 4 Drawing Sheets

Rotary Depilation Roller



Depilating Appliance

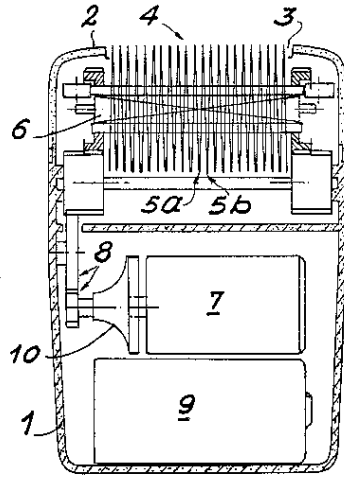


FIG. 2

Nov. 27, 2002

Case Study: Impact of the IP System on Technological Innovation

15

Blades Driving Mechanism

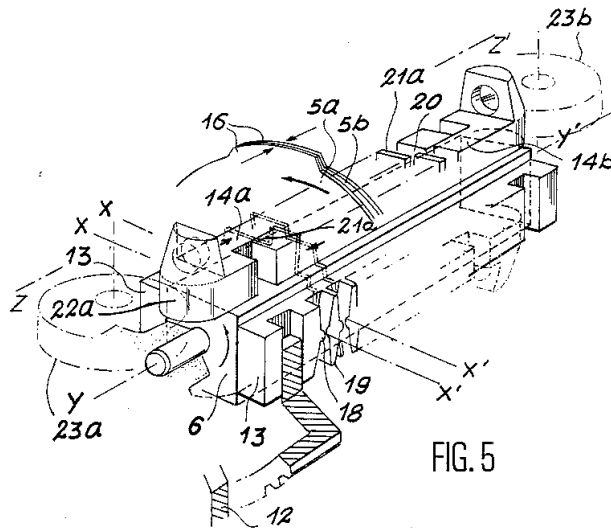


FIG. 5

Nov. 27, 2002

Case Study: Impact of the IP System on Technological Innovation

16

Patent Issued on Sept. 17, 2002

(12) **United States Patent**
Sanchez-Martinez et al.

(10) **Patent No.:** US 6,451,028 B1
(45) **Date of Patent:** Sep. 17, 2002

(54) **ROTATING CYLINDER FOR AN EPILATOR**
(75) Inventors: **Pedro Sanchez-Martinez**, Kronberg;
Christof Ungemach, Frankfurt, both of
(DE)

5,234,472 A * 8/1993 Schäfer et al. 606/133
5,449,364 A * 9/1995 Niederschäfer et al. ... 606/133
5,857,903 A * 1/1999 Ramspeck et al.

FOREIGN PATENT DOCUMENTS

(73) Assignee: **Braun GmbH (DE)**
(*) Notice: Subject to any disclaimer, the term of this
patent is extended or adjusted under 35
U.S.C. 154(b) by 0 days.
(21) Appl. No.: **09/673,523**
(22) PCT Filed: **May 25, 1999**
(86) PCT No.: **PCT/EP99/03579**
§ 371 (c)(1),
(2), (4) Date: **Oct. 17, 2000**
(87) PCT Pub. No.: **WO99/60883**
PCT Pub. Date: **Dec. 1, 1999**
(30) **Foreign Application Priority Data**

DE	43 34 850 C2	10/1995
DE	44 27 788 A1	2/1996
EP	0 585 621 A1	3/1994
FR	2 680 651	3/1993
FR	2 703 885	10/1994
JP	06105712	4/1994
WO	WO 91/03964	4/1991
WO	WO 98/05234	2/1998

* cited by examiner

Primary Examiner—Kevin Shaver
Assistant Examiner—Pamela Lynn Wingood
(74) *Attorney, Agent, or Firm*—Fish & Richardson P.C.

(57) **ABSTRACT**

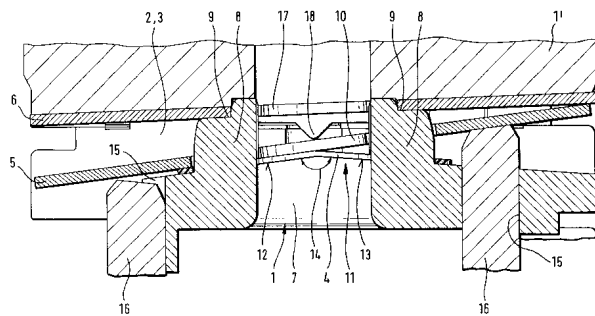
Rotating Cylinder for an Epilator

PCT Pub. Date: **Dec. 1, 1999**
(30) **Foreign Application Priority Data**
May 27, 1998 (DE) 198 23 577
(51) **Int. Cl.** **A61B 17/50**
(52) **U.S. Cl.** **606/133; 452/82**
(58) **Field of Search** 606/1, 131, 133;
452/82-85

(56) **References Cited**
U.S. PATENT DOCUMENTS
5,108,410 A * 4/1992 Iwasaki et al.

(57) **ABSTRACT**
The invention is directed to a rotary cylinder for an epilator
appliance which in a preferred embodiment has at least two
adjacent disks (1, 1') provided on their facing sides with at
least one groove (2) to form a clamping element receiving
space (3). Provision is made for two clamping elements (5,
6) arranged adjacent to each other which are accommodated in
the clamping element receiving space (3). Noise damping
mechanisms are provided which are associated with at least
one of the clamping elements (5, 6).

19 Claims, 6 Drawing Sheets



THE END

Thank you
for your attention!



[End of document]