

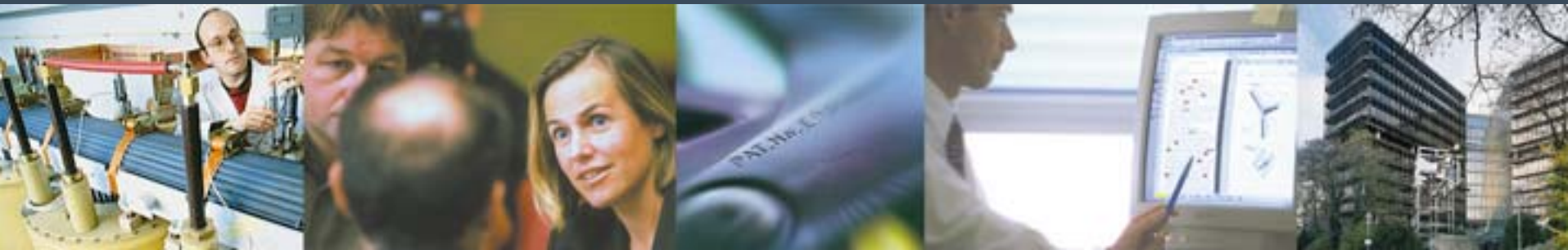


European
Patent Office



Get the best from Patent Information

*WIPO/IASP TRAINING SEMINAR ON IP
June 30, 2004*





European
Patent Office

Roadmap

- When do I need Patent Information?
- How to use it - Case studies
- Conclusion & Further reading



When?

State of the art search: closest prior art information

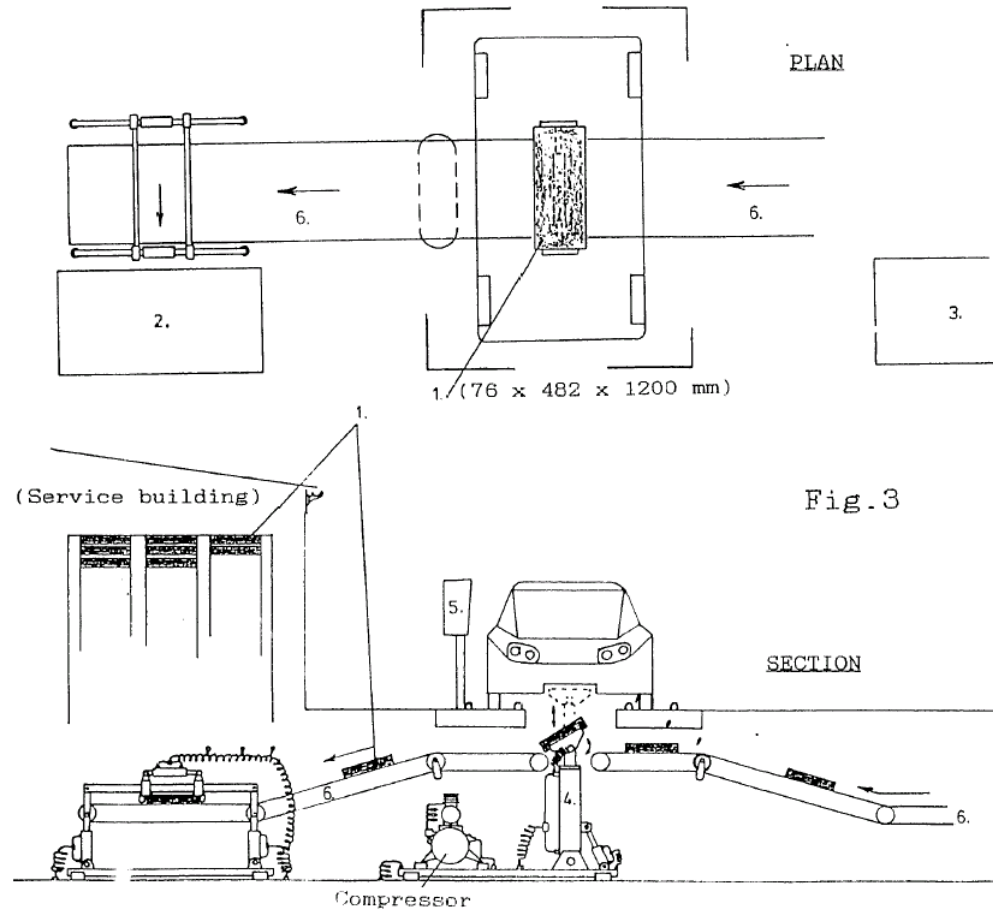


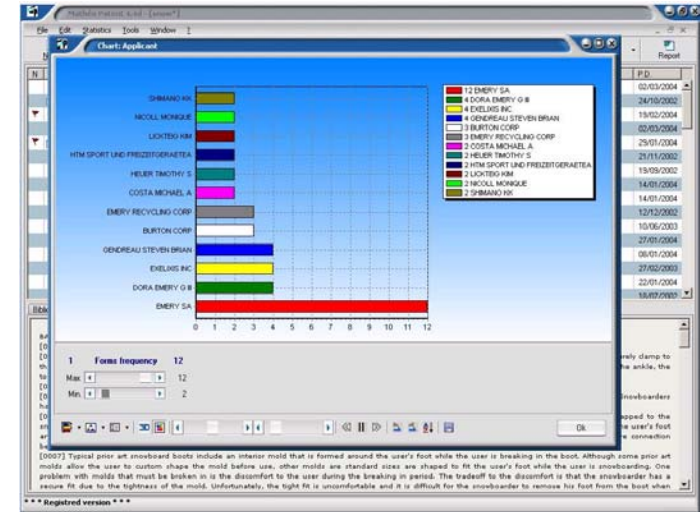
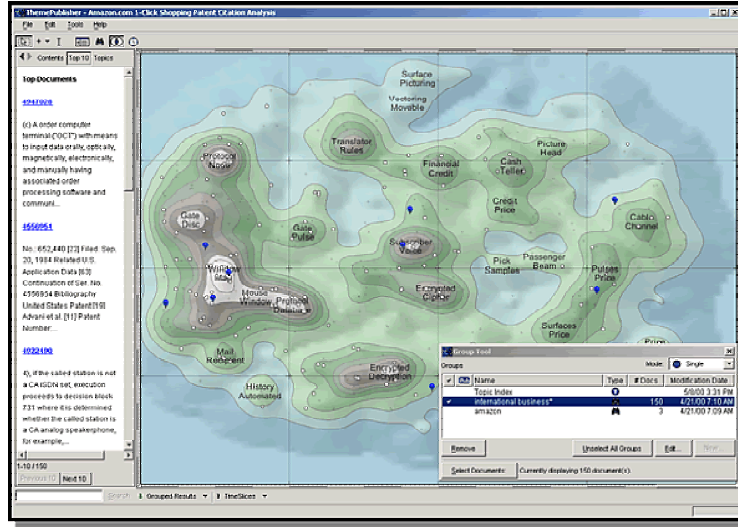
Fig.3



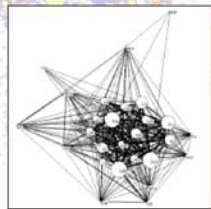
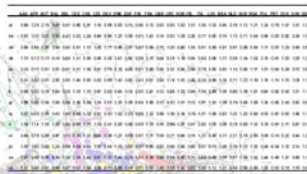
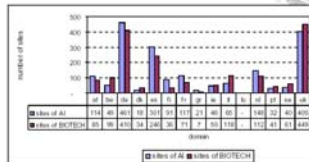
Statistics - Indicators - Decision Tool

European Patent Office

When?



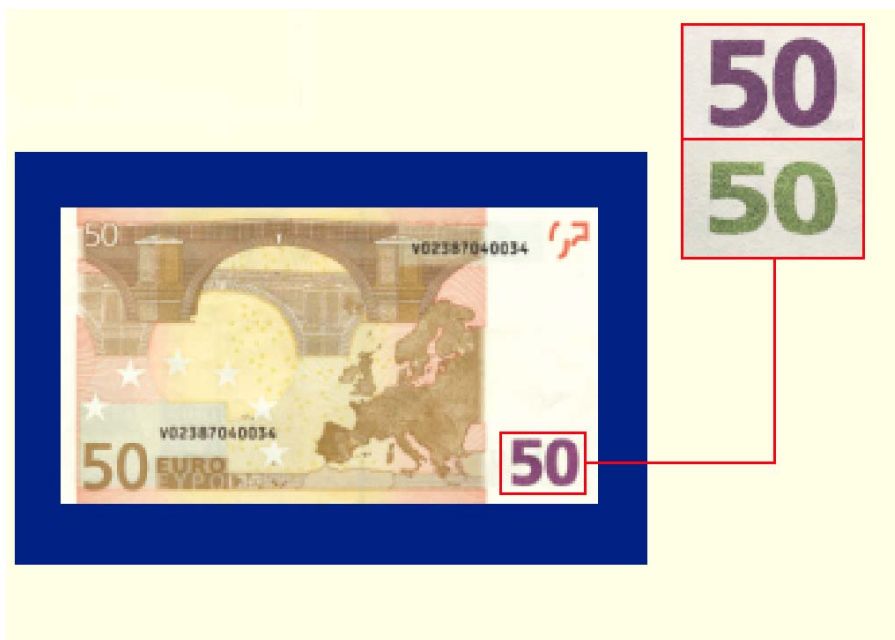
Visualisation



There are different possibilities of analysing and visualising



Legal related searches



Freedom to operate when marketing a new product:

- Looking for valid patents covering a product
- Technical-legal search



HOW?

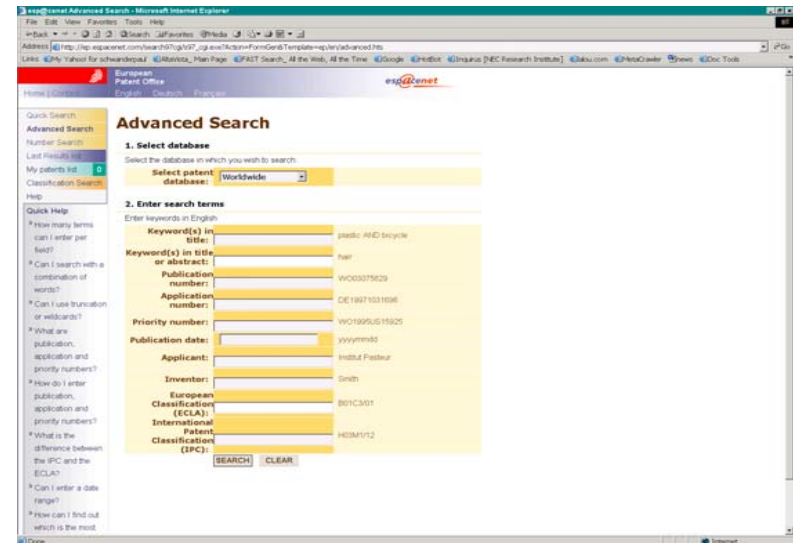
How can I use Patent Information?

- Some search principles
- Examples



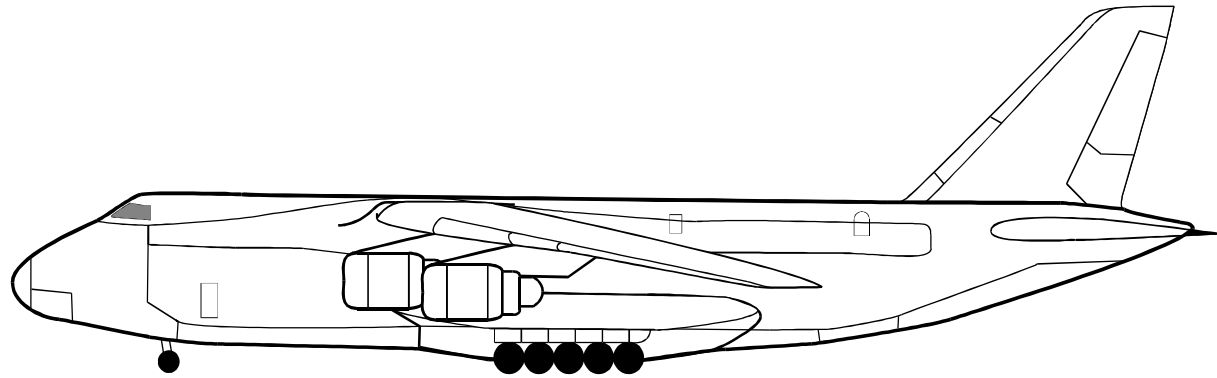
Some facts and figures about the *esp@cenet*® service

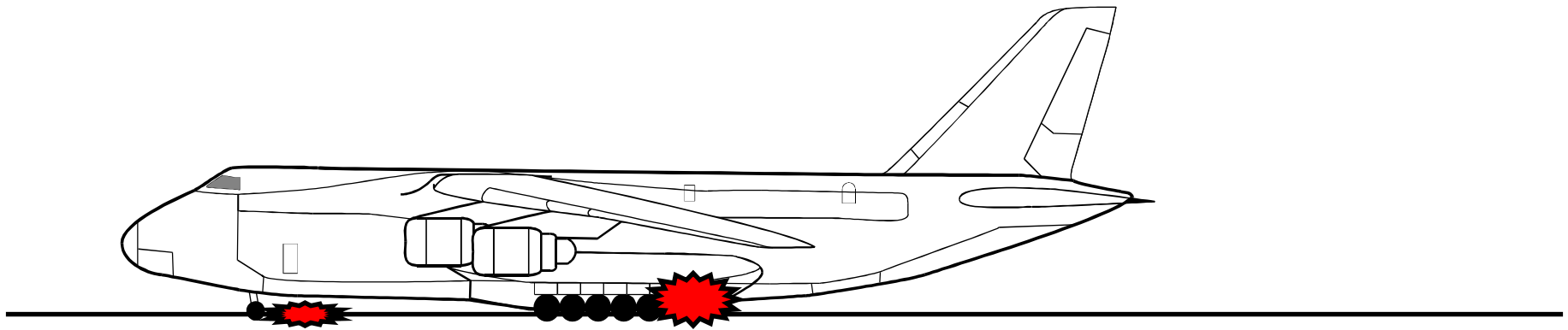
- Service introduced in 1998.
- European Patent Organisation tool.
- Third version released in 2003 considering user needs and ergonomics.
- New features added: INPADOC data access, etc.
- Weekly:
 - 915 200 searches
 - 52 000 users





Usually, a prior art search boils down to a combination of concepts defining the subject you are looking for.







- Quick Search
- Advanced Search**
- Number Search
- Last Results list
- My patents list 0
- Classification Search
- Help

- Quick Help**
- » How many terms can I enter per field?
 - » Can I search with a combination of words?
 - » Can I use truncation or wildcards?
 - » What are publication, application and priority numbers?
 - » How do I enter publication, application and priority numbers?

Advanced Search

1. Select database

Select the database in which you wish to search:

Select patent database:

2. Enter search terms

Enter keywords in English

Keyword(s) in title:	<input type="text" value="plastic AND bicycle"/>
Keyword(s) in title or abstract:	<input type="text" value="Landing gear prerotat*"/>
Publication number:	<input type="text" value="WO03075629"/>
Application number:	<input type="text" value="DE19971031696"/>
Priority number:	<input type="text" value="WO1995US15925"/>
Publication date:	<input type="text" value="yyyymmdd"/>
Applicant:	<input type="text" value="Institut Pasteur"/>
Inventor:	<input type="text" value="Smith"/>
European Classification (ECLA):	<input type="text" value="B01C3/01"/>
International Patent Classification (IPC):	<input type="text" value="H03M1/12"/>



- Quick Search
- Advanced Search
- Number Search
- Last Results list
- My patents list 0
- Classification Search
- Help

Compact | Print

RESULT LIST

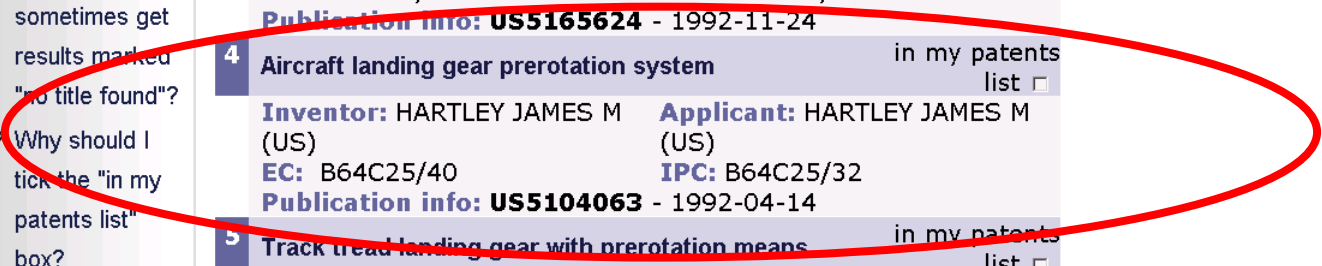
6 results found in the Worldwide database for:

"landing AND gear AND prerotat*" in the title or abstract
(Results are sorted by date of upload in database)

[Refine search](#)

- Quick Help
- » Why is the number of results sometimes "approximate"?
 - » Why do I sometimes retrieve fewer results than with the old esp@cenet@?
 - » Why do I sometimes get results marked "no title found"?
 - » Why should I tick the "in my patents list" box?
 - » How do I get top browser to print

- | | | |
|----------|--|--|
| 1 | Autogyro aircraft | in my patents list <input type="checkbox"/> |
| | Inventor: GROEN DAVID L (US); GROEN HENRY J (US) | Applicant: |
| | EC: B64C27/02; B64C27/43 | IPC: B64C27/02 |
| | Publication info: US5544844 - 1996-08-13 | |
| 2 | Autogyro aircraft | in my patents list <input type="checkbox"/> |
| | Inventor: GROEN DAVID L (US); GROEN HENRY J (US) | Applicant: GROEN DAVID L (US); GROEN HENRY J (US) |
| | EC: B64C27/02 | IPC: B64C27/52 ; B64C13/04 |
| | Publication info: US5301900 - 1994-04-12 | |
| 3 | Apparatus for prerotating aircraft wheels employing forced air and a vacuum | in my patents list <input type="checkbox"/> |
| | Inventor: LEWIS JR GUY C (US); HOPKINS JR GEORGE P (US); (+1) | Applicant: LEWIS JR GUY C (US) |
| | EC: B64C25/40 | IPC: B64C25/32 |
| | Publication info: US5165624 - 1992-11-24 | |
| 4 | Aircraft landing gear prerotation system | in my patents list <input type="checkbox"/> |
| | Inventor: HARTLEY JAMES M (US) | Applicant: HARTLEY JAMES M (US) |
| | EC: B64C25/40 | IPC: B64C25/32 |
| | Publication info: US5104063 - 1992-04-14 | |
| 5 | Track tread landing gear with prerotation means | in my patents list <input type="checkbox"/> |
| | Inventor: DEVER OTTO E | Applicant: |
| | EC: B64C25/40 | IPC: |



- Number Search
- Last Results list
- My patents list 0
- Classification Search
- Help

- Quick Help**
- » Why are some tabs deactivated for certain documents?
 - » Why does a list of documents with the heading "Also published as" sometimes appear, and what are these documents?
 - » What does A1, A2, A3 and B stand for after an EP publication number in the "Also published as" list?
 - » What is a cited document?
 - » Why do I sometimes find the abstract ▲ top

Aircraft landing gear prerotation system

Bibliographic data	Description	Claims	Mosaics	Original document	INPADOC LEGAL status
--------------------	-------------	--------	---------	-------------------	----------------------

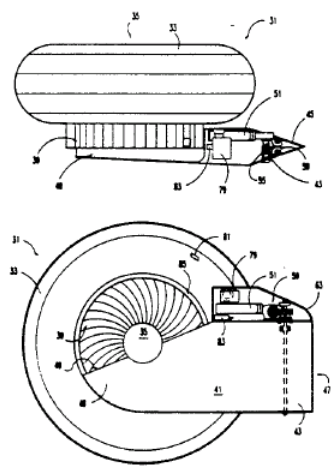
Patent number: US5104063
Publication date: 1992-04-14
Inventor: HARTLEY JAMES M (US)
Applicant: HARTLEY JAMES M (US)
Classification:
 - international: B64C25/40
 - european: **B64C25/40**
Application number: US19900515410 19900427
Priority number(s): US19900515410 19900427

B64C25/40

View INPADOC patent family

Abstract of US5104063

A device to induce rotation of aircraft landing wheels is disclosed, using only the force of oncoming air to bring them up to synchronous ground (landing) speed during approach to landing. A complete, independently operating system with its own sensors, microcontroller, motors and control linkages, which does not interface with any of the aircraft's instrumentation or systems, continually measures the actual ground speed of the aircraft during final approach, transmitting this flow of data to a microcontroller for continuous translation into required RPM for each tire diameter and monitors the precise RPM of each landing wheel through non-contact photo-tachometers whose outputs are multiplexed into the microcontroller. The system provides continuous control over the RPM of each landing wheel through air intake ducts



- Quick Search
- Advanced Search
- Number Search
- Last Results list
- My patents list 0
- Classification Search**
- Help

- Quick Help**
- »What is the ECLA classification system?
 - »How do I enter a classification number?
 - »Can I retrieve a classification using keywords [top](#)

Search the european classification

View Section	Find classifications(s) for	Find description for a
Index A B C D E F G H	keywords	symbol
	e.g. mast sail <input type="button" value="Go"/>	e.g. A23C <input type="button" value="Go"/>

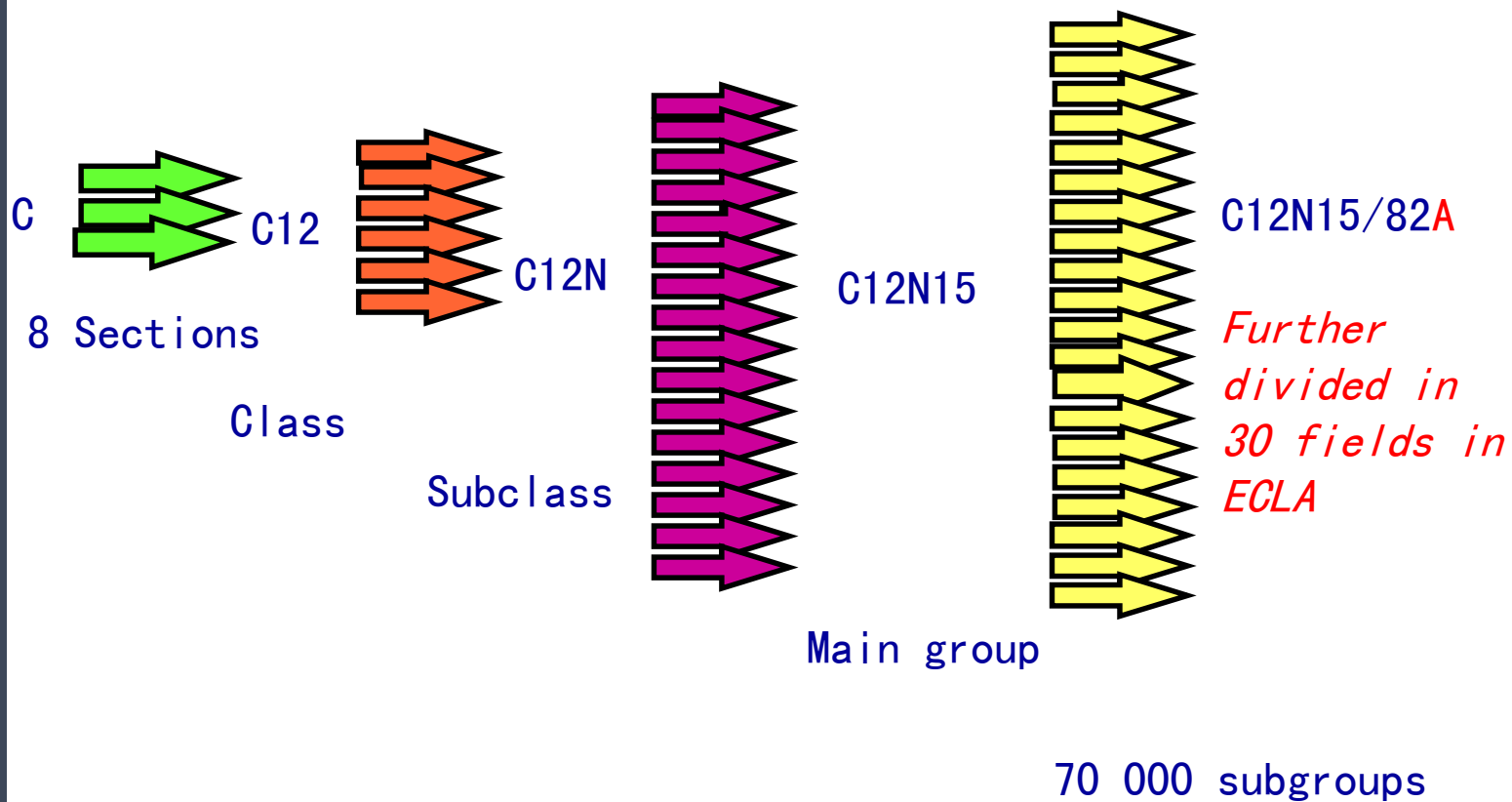
Previous page: [B64C23/00](#)

- PERFORMING OPERATIONS; TRANSPORTING** **B**
- AIRCRAFT; AVIATION; COSMONAUTICS** **B64**
- AEROPLANES; HELICOPTERS** (air-cushion vehicles **B60V**) **B64C**
- Influencing air-flow over aircraft surfaces, not otherwise provided for**
- Alighting gear** (air-cushion alighting gear **B60V3/08**) **B64C25**
- B64C25/00**
- characterised by the ground or like engaging elements (arrestor hooks **B64C25/68**) **B64C25/32**
- the elements being rotated before touch-down **B64C25/40**

<input type="checkbox"/> show notes	<input type="button" value="Expand groups"/>	Copy to searchform: <input style="width: 80%;" type="text"/>	<input type="button" value="Copy"/>	<input type="button" value="Clear"/>
-------------------------------------	--	--	-------------------------------------	--------------------------------------



Patent Classification





- Quick Search
- Advanced Search**
- Number Search
- Last Results list
- My patents list 0
- Classification Search
- Help

- Quick Help**
- » How many terms can I enter per field?
 - » Can I search with a combination of words?
 - » Can I use truncation or wildcards?
 - » What are publication, application and priority numbers?
 - » How do I enter publication, application and priority numbers?

Advanced Search

1. Select database

Select the database in which you wish to search:

Select patent database:

2. Enter search terms

Enter keywords in English

Keyword(s) in title:	<input type="text" value="plastic AND bicycle"/>
Keyword(s) in title or abstract:	<input type="text" value="hair"/>
Publication number:	<input type="text" value="WO03075629"/>
Application number:	<input type="text" value="DE19971031696"/>
Priority number:	<input type="text" value="WO1995US15925"/>
Publication date:	<input type="text" value="yyyymmdd"/>
Applicant:	<input type="text" value="Institut Pasteur"/>
Inventor:	<input type="text" value="Smith"/>
European Classification (ECLA):	<input type="text" value="B64C25/40"/> B01C3/01
International Patent Classification (IPC):	<input type="text" value="H03M1/12"/>

Classification
 Search
 Help

Quick Help

- » Why are some tabs deactivated for certain documents?
- » Why does a list of documents with the heading "Also published as" sometimes appear, and what are these documents?
- » What does A1, A2, A3 and B stand for after an EP publication number in the "Also published as" list?
- » What is a cited document? [top](#)

Bibliographic data	Description	Claims	Mosaics	Original document	INPADOC LEGAL status
---------------------------	-------------	--------	---------	-------------------	----------------------

Patent number: EP0492686
Publication date: 1992-07-01
Inventor: ADILETTA GIOVANNI (IT)
Applicant: ADILETTA GIOVANNI (IT)
Classification:
 - **international:** B64C25/40
 - **european:** B64C25/40
Application number: EP19910203118 19911128
Priority number(s): IT19900022508 19901221

Also published as:
 IT1246727 (B)

Cited documents:
 GB603804
 FR2123158
 GB1527880
 FR912891
 US4040582

View INPADOC patent family

Abstract of EP0492686

Described is a device for obtaining the rotation of the wheels (2) mounted on the landing gear (4) of aircraft with the object of limiting the transient stage during the phase of first contact with the ground, constituted by a radial blading (1) applied on the external side surface of the wheel hub.

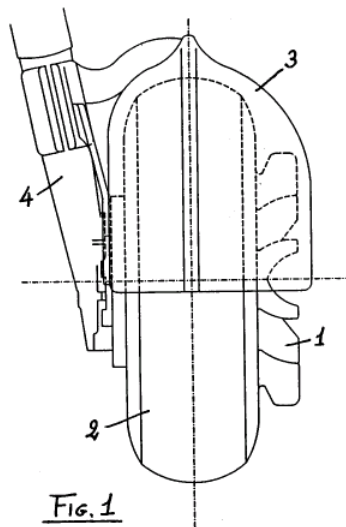


Fig. 1

Nov. 24, 1931.

J. A. FAUCHER ET AL

1,833,019

AIRPLANE TIRE

Filed Nov. 1, 1929

Fig. 1.

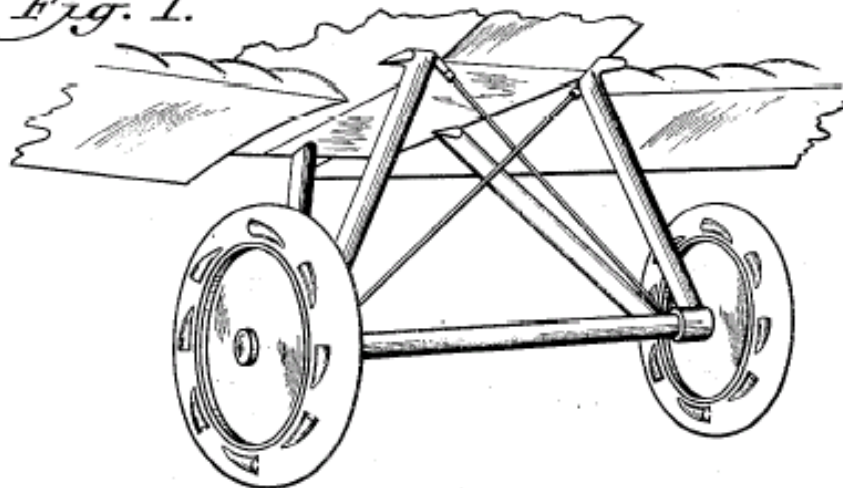
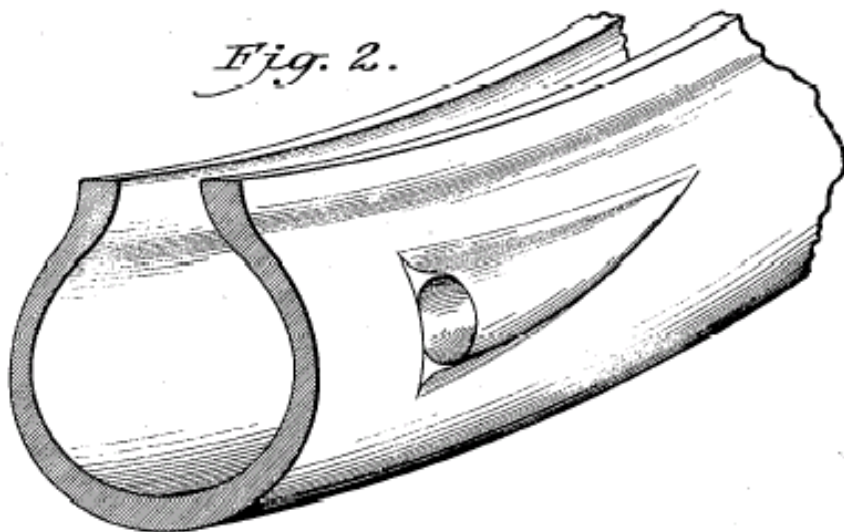


Fig. 2.





**268 PATENTS
classified in
B60R21/18**

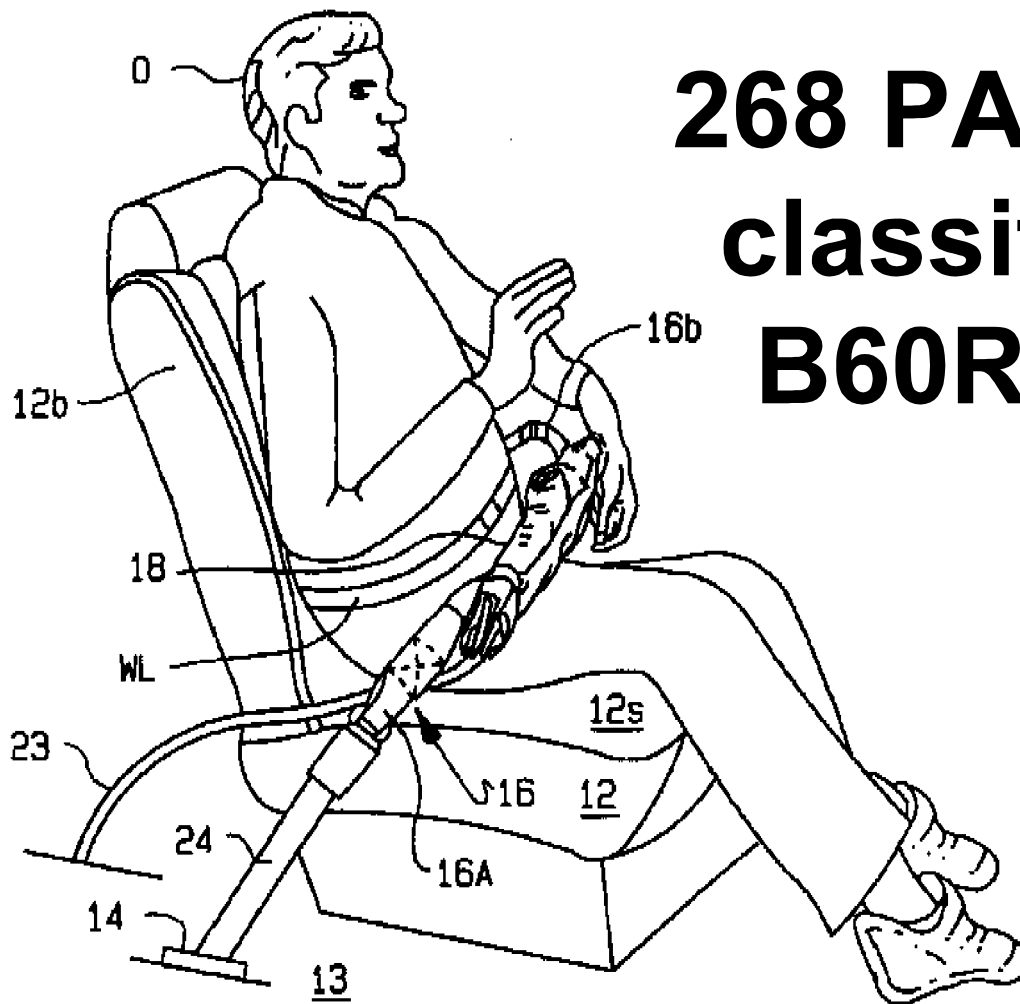


FIG. 1



U.S. Patent Jun. 26, 1990

Sheet 1 of 2 4,936,896

FIG. 1

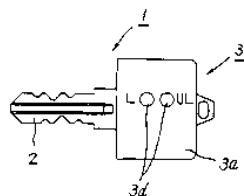


FIG. 2

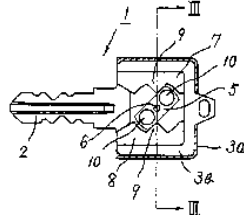


FIG. 3

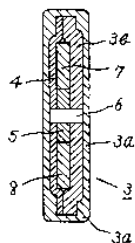


FIG. 4

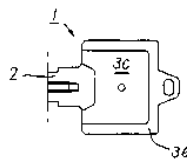


FIG. 5

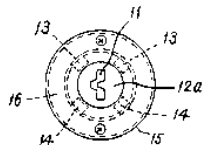
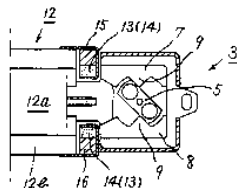


FIG. 6



77 PATENTS classified in E05B19/22



European
Patent Office

79 PATENTS classified in A61J9/02

U.S. Patent Apr. 24, 1990

Sheet 1 of 2

4,919,983

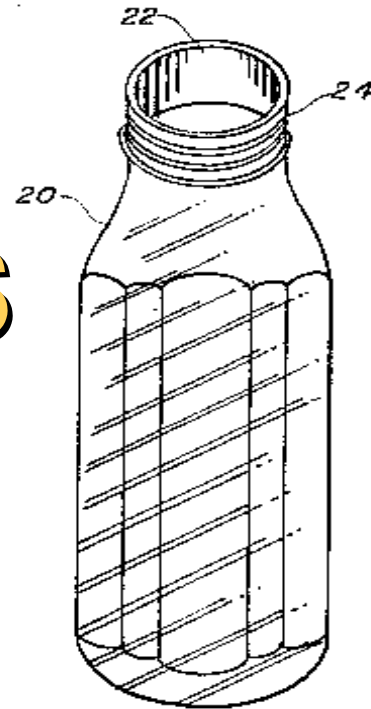


FIG. 1

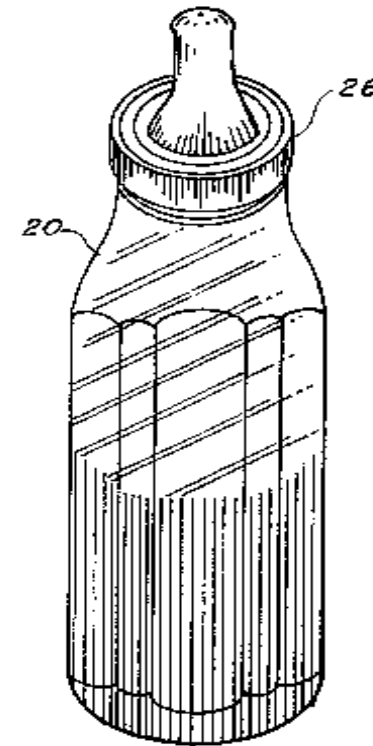


FIG. 2

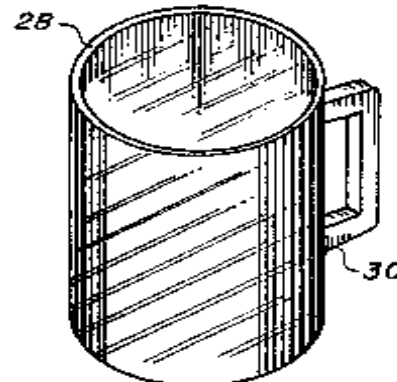


FIG. 3

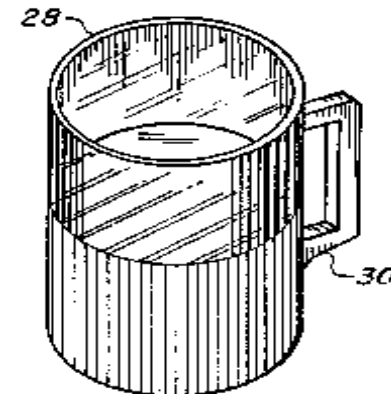
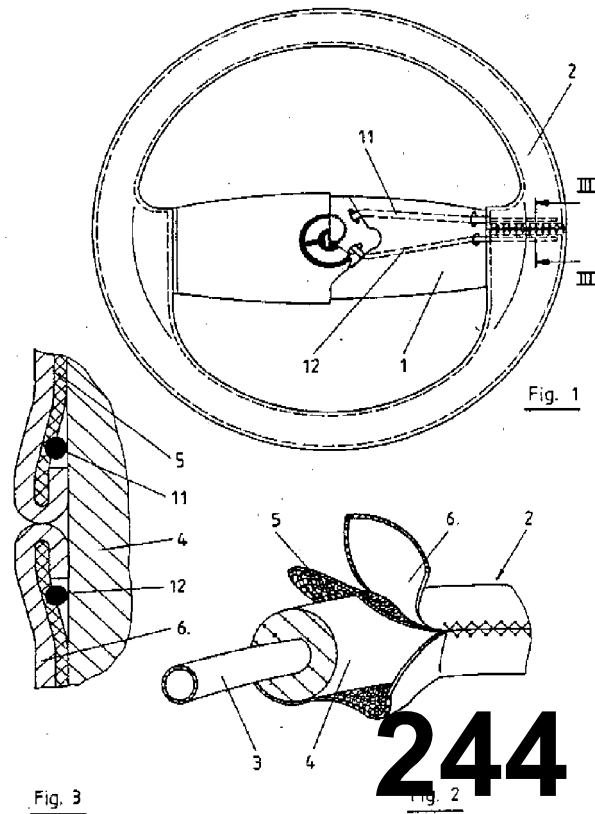


FIG. 4



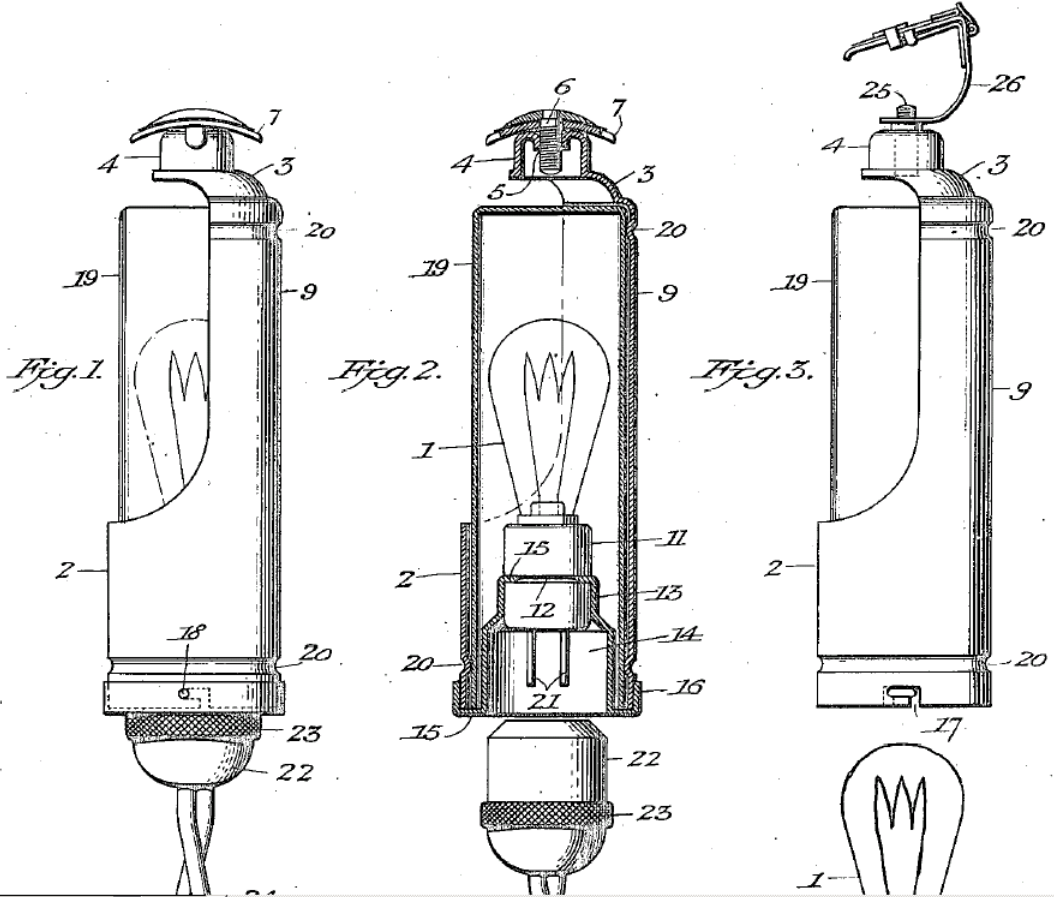
244 PATENTS
classified in
B62D1/06B

42 PATENTS classified in B26B21/46

L. E. NORQUIST.
FACE ILLUMINATING RAZOR.
APPLICATION FILED JULY 18, 1921.

1,429,760.

Patented Sept. 19, 1922.





The easiness of a prior art search is proportional to the number of documents relevant to your subject that are contained in the searched collection.



The more the easiest

A manually
rechargeable
cellular phone



- Quick Search
- Advanced Search
- Number Search
- Last Results list
- My patents list 0
- Classification Search
- Help

- Quick Help**
- » Why are some tabs deactivated for certain documents?
 - » Why does a list of documents with the heading "Also published as" sometimes appear, and what are these documents?
 - » What does A1, A2, A3 and B stand for after an EP publication number in the "Also published as" list?
 - » What is a cited document?
 - » Why do I
- ▲ top

In my patents list | [Print](#) Return to result list | 1/1

Mobile telecommunication terminal.

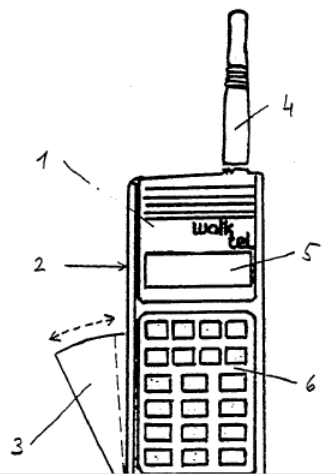
Bibliographic data	Description	Claims	Mosaics	Original document	INPADOC LEGAL status
--------------------	-------------	--------	---------	-------------------	----------------------

<p>Patent number: EP0409819</p> <p>Publication date: 1991-01-23</p> <p>Inventor: STRASSER HELMUT DIPL-ING (AT)</p> <p>Applicant: ALCATEL AUSTRIA AG (AT)</p> <p>Classification:</p> <p>- international: H04B1/38; H04M1/72; H04Q7/04</p> <p>- european: H02J7/32, H04B1/38P2, H04M1/02A1</p> <p>Application number: EP19900890214 19900718</p> <p>Priority number(s): AT19890001752 19890720</p>	<p>Also published as:</p> <p>EP0409819 (A3)</p> <p>Cited documents:</p> <p>FR2079913</p> <p>DE3211114</p> <p>DE1541510</p>
---	--

View INPADOC patent family

Abstract of EP0409819

A mobile telecommunication terminal, for example a hand-held mobile telephone which contains a hand-operated dynamo as power supply. This makes the device independent of batteries or, after failure of the battery, an emergency operation can be maintained. The hand-operated dynamo is preferably driven by means of a toothed rod which is moved via an operating lever protruding from the side wall of the device.



- Quick Search
- Advanced Search
- Number Search
- Last Results list
- My patents list 0
- Classification Search
- Help

- Quick Help**
- » Why are some tabs deactivated for certain documents?
 - » Why does a list of documents with the heading "Also published as" sometimes appear, and what are these documents?
 - » What does A1, A2, A3 and B stand for after an EP publication number in the "Also published as" list?
 - » What is a cited document?
 - » Why do I
- ▲ top

Return to result list | 1/1

esp@cenet eda search utility - Microsoft Internet Explorer

Address http://v3.espacenet.com/eclash?ECLA=/espacenet/eda/h02/h027.htm?q=7-32

European Patent Office
Home | Contact | English | Deutsch | Français

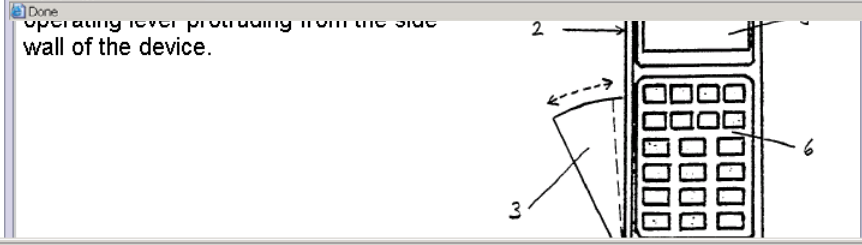
Search the european classification

View Section	Find classifications(s) for	Find description for a
Index A B C D E F G H	keywords e.g. mast sail <input type="text"/> <input type="button" value="Go"/>	symbol e.g. A23C <input type="text"/> <input type="button" value="Go"/>

Previous page: [H02J5/00](#)

ELECTRICITY	H <input type="checkbox"/>
GENERATION; CONVERSION OR DISTRIBUTION OF ELECTRIC POWER	H02 <input type="checkbox"/>
CIRCUIT ARRANGEMENTS OR SYSTEMS FOR SUPPLYING OR DISTRIBUTING ELECTRIC POWER; SYSTEMS FOR STORING ELECTRIC ENERGY (for digital computers G06F1/18 ; circuits or apparatus for the conversion of electric power, arrangements for control or regulation of such circuits or apparatus H02M ; interrelated control of several motors, control of a prime-mover/generator combination H02P ; control of high-frequency power H03L ; additional use of power line or power network for transmission of information H04B)	H02J <input type="checkbox"/>
Circuit arrangements for charging or depolarising batteries or for supplying loads from batteries	H02J7 <input type="checkbox"/>
for charging batteries from a charging set comprising a non-electric prime mover [N: rotating at constant speed]	H02J7/00 <input type="checkbox"/>
for charging batteries from a charging set comprising a non-electric prime mover [N: rotating at constant speed]	H02J7/32 <input type="checkbox"/>
[N: by variation of field, using discharge tubes]	H02J7/32B <input type="checkbox"/>
[N: by variation of field, using semiconductor devices]	H02J7/32D <input type="checkbox"/>
[N: by variation of field, using armature-reaction-excited machines]	H02J7/32F <input type="checkbox"/>
[N: by variation of field, using magnetic devices having controllable degree of saturation]	H02J7/32H <input type="checkbox"/>

show notes Copy to searchform:

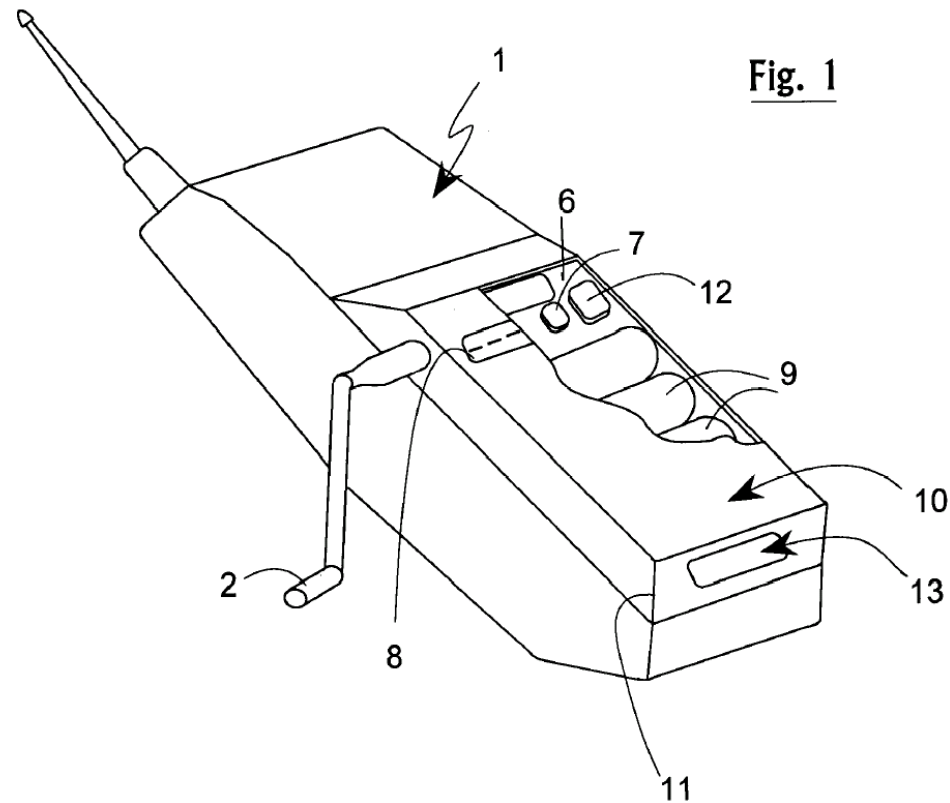




Example

European
Patent Office

EP 0 786 849 A1

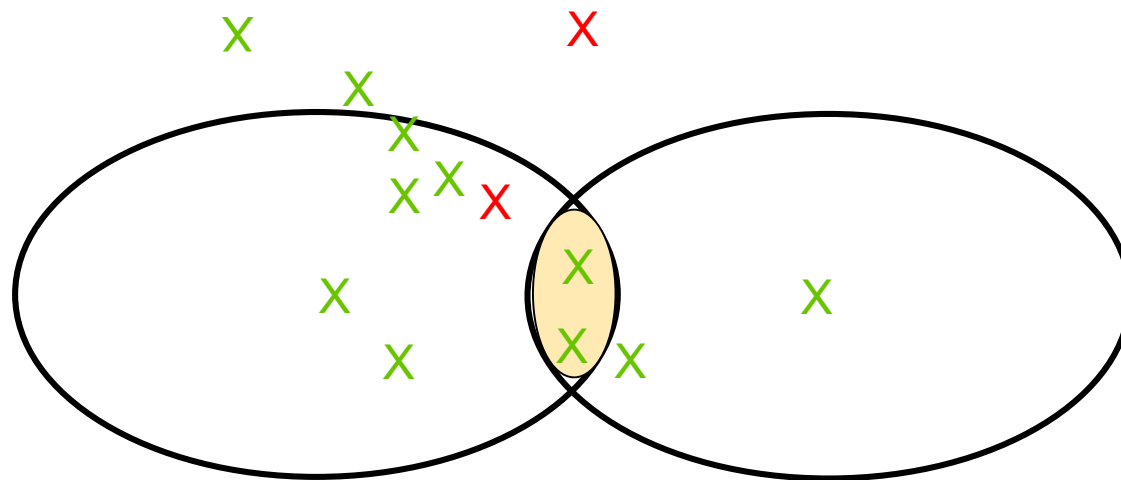




First attempt

European
Patent Office

How?

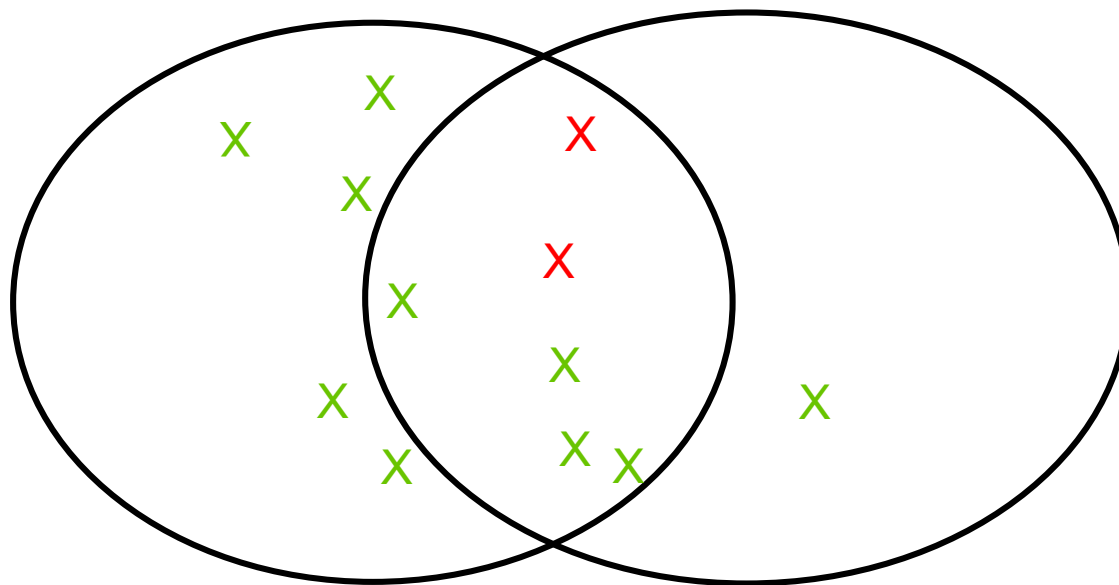




European
Patent Office

How?

Further attempt





Bear in mind

- Easy searching in case of good IPC or EC: 10-20% of the cases
- Added value product and services are essential
- Business critical decisions must be based on professional tools or services



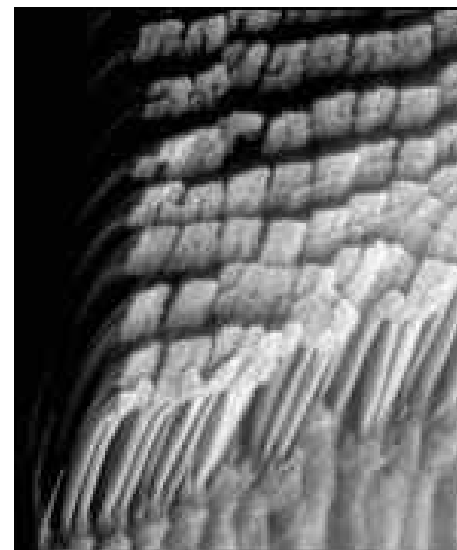
Using free patent search tools is not necessarily more cost effective than using fee based databases.



The limits of free patent databases

European
Patent Office

How?





EP1241930

A method of forming an adhesive force includes removing a seta from a living specimen, attaching the seta to a substrate, and applying the seta to a surface so as to establish an adhesive force between the substrate and the surface. The seta is applied to the surface with a force perpendicular to the surface. The seta is then pulled with a force parallel to the surface so as to preload the adhesive force of the seta.



Derwent

European
Patent Office

How?

AB - WO200149776 NOVELTY - An adhesive force is formed by removing seta from living specimen. The seta is attached to a substrate and applied to a surface to establish an adhesive force between substrate and surface.

- **DETAILED DESCRIPTION - INDEPENDENT CLAIMS** are also included for (A) a method of fabricating an adhesive microstructure comprising fabricating an array of shafts and forming spatula on the array of shafts; and (B) a fabricated microstructure comprising a shaft and an array of spatula formed at an end of the shaft. Each spatula includes curved segment of a sphere at spatula terminal end. The shaft is less than 500 μm long, and has a diameter of 0.01-0.1 times its length. The array of spatula is less than 10 μm wide.

- **USE** - The method is for forming an adhesive force for use in e.g., micro-manufacturing, micro-manipulation, and microsurgery applications. The adhesive force can also be used in manipulating retinal prosthesis implants, and pick and place of silicon wafer or disk drive components. It can also be used as clutch mechanism in micro-machines. It can also be used in insect trapping, tape, robot feet or treads, glove/pads for climbing, gripping e.g., clean room processing tools, micro-optical manipulation, micro-brooms, micro-vacuums, flake removal from wafers, optical removal of individual particles, climbing, throwing, and sticker toys, press-on fingernails, silent fasteners, substrate to prevent adhesion on specific locations, broom to clean disk drive, post-it notes, band aids, semiconductor transport, and clothes fasteners.

- **ADVANTAGE** - The formed adhesive force is greater than the cumulative force of the applying and the pulling steps of the forming method. The removing step is analogous to cutting hair, thus allowing **the gecko** to harmlessly regenerate its seta. The seta is easily harvested without sacrificing the living specimen.



Do you speak attorneysh?

- Ball = Spherical device
- Computer mouse = Pointing device
- Computer screen = Visual display unit
- Car = Land vehicle

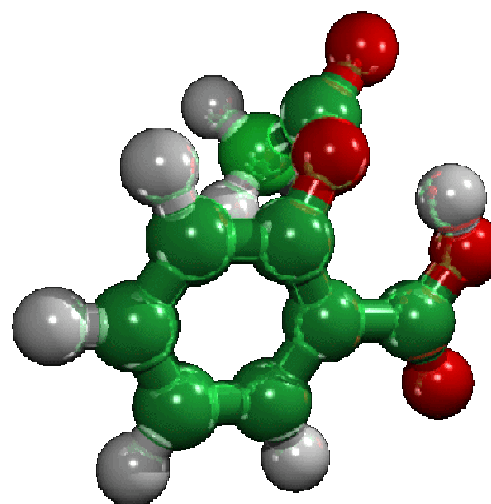


Special search tools: when the concept approach fails

- Biotech

```
ATACTTCCTC GTGTTGATAA  
ACCTGCAGTA AAGAATTAA  
AATAATCACT CTATTAAAGT  
TTGGTATTAG GAACCAAAGT  
GCTTCACCTA AAAACGTAAA
```

- Chemistry





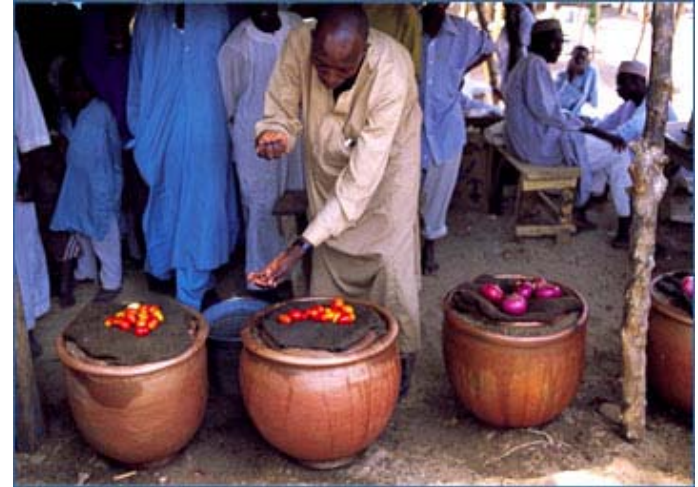
**To get out of a search dead end
try to think lateral to find new
concepts defining your subject.**



Think lateral

European
Patent Office

How?





cool* and moist*

How?

RESULT LIST

Approximately 164 results found in the Worldwide database for:

"cool* AND moist*" in the title

(Results are sorted by date of upload in database)

Refine search

1	A MULTI COMPONENT MOISTURE TRIGGERED CONTROLLED RELEASE SYSTEM THAT IMPARTS LONG LASTING COOLING SENSATION ON THE TARGET SITE AND/OR PROVIDES HIGH IMPACT FRAGRANCE OR FLAVOR BURST	in my patents list <input type="checkbox"/>
2	SERIES OF DEVICES FOR MANAGING HEAT AND MOISTURE PROOF COEXISTING WITH FLOOR COOLING AND HEATING	in my patents list <input type="checkbox"/>
3	Method and apparatus of heat-shocking fresh produce and for cooling such produce to a desired temperature and moisture content	in my patents list <input type="checkbox"/>
4	Multi component moisture triggered controlled release system that imparts long lasting cooling sensation on the target site and/or provides high impact fragrance or flavor burst	in my patents list <input type="checkbox"/>
5	Cool and throat-moistening aerosol	in my patents list <input type="checkbox"/>
6	Heat storage system for vehicle air conditioners, has adsorbent with adsorbing and desorbing medium and moisture is desorbed or adsorbed in adsorbents to heat cooling water	in my patents list <input type="checkbox"/>
7	Climate control system for especially stationary vehicles uses heat exchanger and moisture cooling with air supplied to inside of vehicle directly or indirectly after leaving heat exchanger	in my patents list <input type="checkbox"/>
8	Moisture-retentive cooling gel, moisture-retentive cooling gel laminate, and moisture-retentive cooling plaster	in my patents list <input type="checkbox"/>
9	Device for cooling a moist cooled material in a container comprises a valve arranged between the suction side of a secondary vacuum pump and the container containing the cooled material, and a valve arranged in the feed circulation	in my patents list <input type="checkbox"/>
10	Wind-powered thermodynamic reactor for collecting moisture from air has single refrigeration circuit to cool evaporator and condense water vapours	in my patents list <input type="checkbox"/>
11	Process for obtaining water from atmospheric moisture comprises charging solar cells using the sun and utilizing the energy produced to power a Peltier element whose cold side is cooled so that ambient air reaches its dew point	in my patents list <input type="checkbox"/>
12	PRE DRYING, PRE COOLING, CURING, AND HIGH MOISTURE SUPPLYING APPARATUS FOR STORING HARVESTED AGRICULTURAL PRODUCTS FOR LONG TIME	in my patents list <input type="checkbox"/>



New concepts

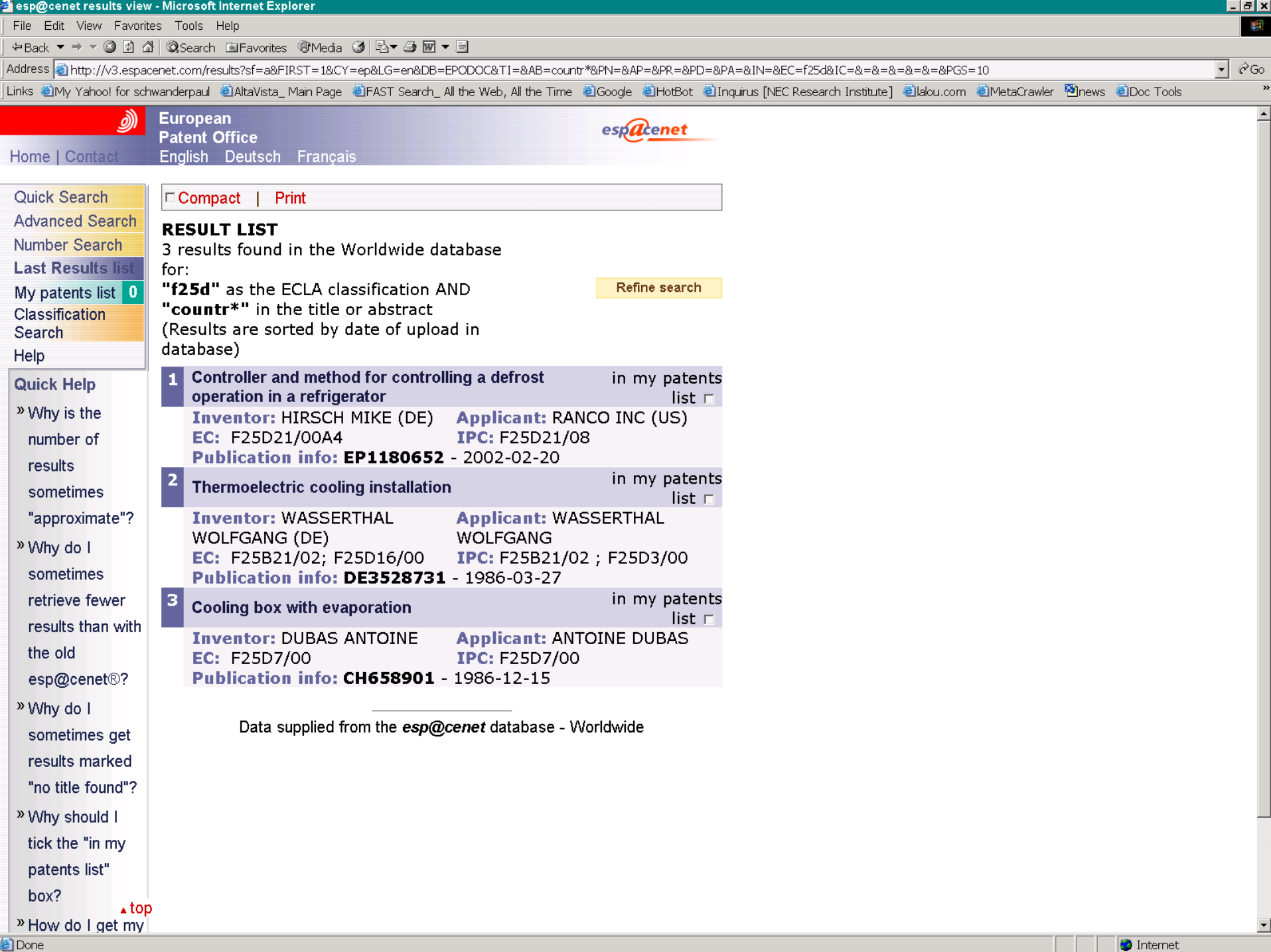
- Refrigerating systems: **F25**

REFRIGERATION OR COOLING; COMBINED HEATING AND REFRIGERATION SYSTEMS; HEAT PUMP SYSTEMS; MANUFACTURE OR STORAGE OF ICE; LIQUEFACTION SOLIDIFICATION OF GASES

F25

- Where can this invention be used?

In developing countries = countr*



- Quick Search
- Advanced Search
- Number Search
- Last Results list
- My patents list 0
- Classification Search
- Help

Compact | Print

RESULT LIST

3 results found in the Worldwide database

for:

"f25d" as the ECLA classification AND
"countr*" in the title or abstract
(Results are sorted by date of upload in database)

[Refine search](#)

- 1 Controller and method for controlling a defrost operation in a refrigerator** in my patents list

Inventor: HIRSCH MIKE (DE) **Applicant:** RANCO INC (US)
EC: F25D21/00A4 **IPC:** F25D21/08
Publication info: **EP1180652** - 2002-02-20
- 2 Thermoelectric cooling installation** in my patents list

Inventor: WASSERTHAL WOLFGANG (DE) **Applicant:** WASSERTHAL WOLFGANG
EC: F25B21/02; F25D16/00 **IPC:** F25B21/02 ; F25D3/00
Publication info: **DE3528731** - 1986-03-27
- 3 Cooling box with evaporation** in my patents list

Inventor: DUBAS ANTOINE **Applicant:** ANTOINE DUBAS
EC: F25D7/00 **IPC:** F25D7/00
Publication info: **CH658901** - 1986-12-15

Data supplied from the esp@cenet database - Worldwide

- Quick Help
- » Why is the number of results sometimes "approximate"?
 - » Why do I sometimes retrieve fewer results than with the old esp@cenet®?
 - » Why do I sometimes get results marked "no title found"?
 - » Why should I tick the "in my patents list" box?
 - » How do I get my [top](#)

European
Patent Office

esp@cenet

Home | Contact English Deutsch Français

Quick Search
Advanced Search
Number Search
Last Results list
My patents list 0
Classification Search
Help

Quick Help

- » Why are some tabs deactivated for certain documents?
- » Why does a list of documents with the heading "Also published as" sometimes appear, and what are these documents?
- » What does A1, A2, A3 and B stand for after an EP publication number in the "Also published as" list? ▲ top

 In my patents list | [Print](#) | [Return to result list](#) | [Previous in result list 3/3](#)

Cooling box with evaporation

Bibliographic
data

Description

Claims

Mosaics

Original
documentINPADOC
LEGAL
status

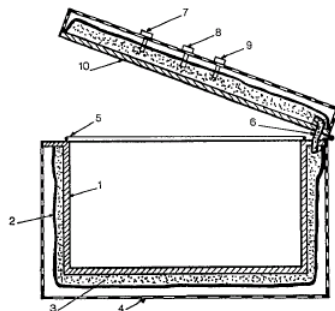
Patent number: CH658901
Publication date: 1986-12-15
Inventor: DUBAS ANTOINE
Applicant: ANTOINE DUBAS
Classification:
 - **international:** F25D7/00
 - **european:** F25D7/00
Application number: CH19850003048 19851217
Priority number(s): CH19850003048 19851217

View INPADOC patent family

Abstract of CH658901

The faces of the box consist of double walls between which a liquid (3) is contained. The inner walls (1, 10) form a sealed container. The outer walls (2) are porous and allow the liquid to evaporate, which leads to the container being cooled.

Application particularly to preserving pharmaceutical and photographic equipment in hot countries.



Data supplied from the *esp@cenet* database - Worldwide



Specific patent searches are sometimes best conducted using both the information available on the Web and in patent databases.

BBC NEWS WORLD EDITION

You are in: UK: England Wednesday, 24 July, 2002, 14:46 GMT 15:46 UK

News Front Page



- Africa
- Americas
- Asia-Pacific
- Europe
- Middle East
- South Asia
- UK
- England
- N Ireland
- Scotland
- Wales
- Politics
- Education
- Business
- Entertainment
- Science/Nature
- Technology
- Health

Talking Point Country Profiles In Depth

Programmes

CRICKET WORLD CUP >>

BBC SPORT

Patients try 'camera' pill



The new pill is only the size of a jelly bean sweet Doctors are using tiny cameras swallowed as a pill to detect stomach illness in patients.

The capsule endoscopes - about the size of a jelly bean - transmit information to a belt which stores the images.

Each unit, which is simply passed out of the body as waste after it has taken the pictures, costs £300.

The cameras are in use at the endoscopy ward at Bristol's Southmead Hospital,

'New technology'

Transmitters contained in the pills send thousands of colour images to the special unit

BBC Bristol WHERE I LIVE >>

See also:

- 16 Jan 02 | Health Stomach pills 'may increase cancer risk'
- 08 Dec 99 | Health Magnetic pill to monitor stomach contents

Internet links:

- Gastroenterology
- Cancer Bacup
- UBHT

The BBC is not responsible for the content of external internet sites

Top England stories now:

- 10,000 chased for congestion fine
- Teenagers admit festival violence
- Postmaster sacked over robbery
- Beckham forgives Ferguson
- Man faces nine rape charges
- Abuse claimants win compensation
- 400 jobs to go at zinc works
- Legal row cat back with owners

[Het Internet](#)[Afbeeldingen](#)[Discussiegroepen](#)[Gids](#)[Geavanceerd zoeken](#)[Voorkeuren](#)[Taalhulpmiddelen](#)

Google zoeken

Ik doe een gok

 Het web doorzoeken Zoeken in pagina's in het Nederlands

Nieuw! Probeer [Googles selfservice advertentieprogramma](#), nu ook in het Nederlands.

[Adverteer bij ons](#) - [Alles over Google](#) - [Google in English](#)

[Maak van Google je Startpagina!](#)

©2003 Google - Zoekt in 3,083,324,652 webpagina's

[Geavanceerd zoeken](#)
[Voorkeuren](#)
[Taalhulpmiddelen](#)
[Zoektips](#)

Het web doorzoeken
 Zoeken in pagina's in het Nederlands

[Het Internet](#)
[Afbeeldingen](#)
[Discussiegroepen](#)
[Gids](#)

Op het web gezocht naar **patent m2a**. Resultaten **11 - 20** van circa **208**. Zoekbewerking duurde **0.13** seconden.

[Plasma Displays](#)

... PDS-42 NEC Plasmasync 4200/4205/4210/5000W/42MP1/42PD1/50PD1/PX42M1A/**M2A**/M3A/MP2/PD1/PD2/M5A/M1A/M2A/VP2A/50M5A/VP1A/XM1A; Runco PL-42/PL-42c ... **Patent** pending. ...

www.ggvideo.com/plasmamounts.htm - 98k - [In cache](#) - [Gelijkwaardige pagina's](#)

[SG3_200106_219_DIN_AirIntA.doc](#)

Bestandsformaat: Microsoft Word 2000 - [HTML versie](#)

... ISO and IEC shall not be held responsible for identifying any or all such **patent** rights. ... Interrogator Transmit Spurious Emissions, Out-of-Band. See **M2A-F3**. ...

www.autoid.org/2001_Documents/WG4_SG3/JUNE2001/SG3_200106_219_DIN_AirIntA.doc - [Gelijkwaardige pagina's](#)

[Given Imaging - Expanding the Scope of GI](#)

... During a typical seven-hour test, the **M2A** capsule transmits 50,000 images to ... four issued patents and has submitted more than 40 **patent** applications worldwide ...

www.givenimaging.com/non_usa/about.asp?x=1&lang=english - 16k - [In cache](#) - [Gelijkwaardige pagina's](#)

[EPO - STRAND Patent filing software](#)

... **m2a**, a, 2-methyladenosine. ... EPO Home Page | Recent updates | Request info | Send comments | Index **Patent** information on the Internet Copyright © 1996-1999 ...

www.european-patent-office.org/filingsoft/strand/table_a_b.htm - 35k - [In cache](#) - [Gelijkwaardige pagina's](#)

[GIVEN IMAGING'S BREAKTHROUGH TECHNOLOGY](#)

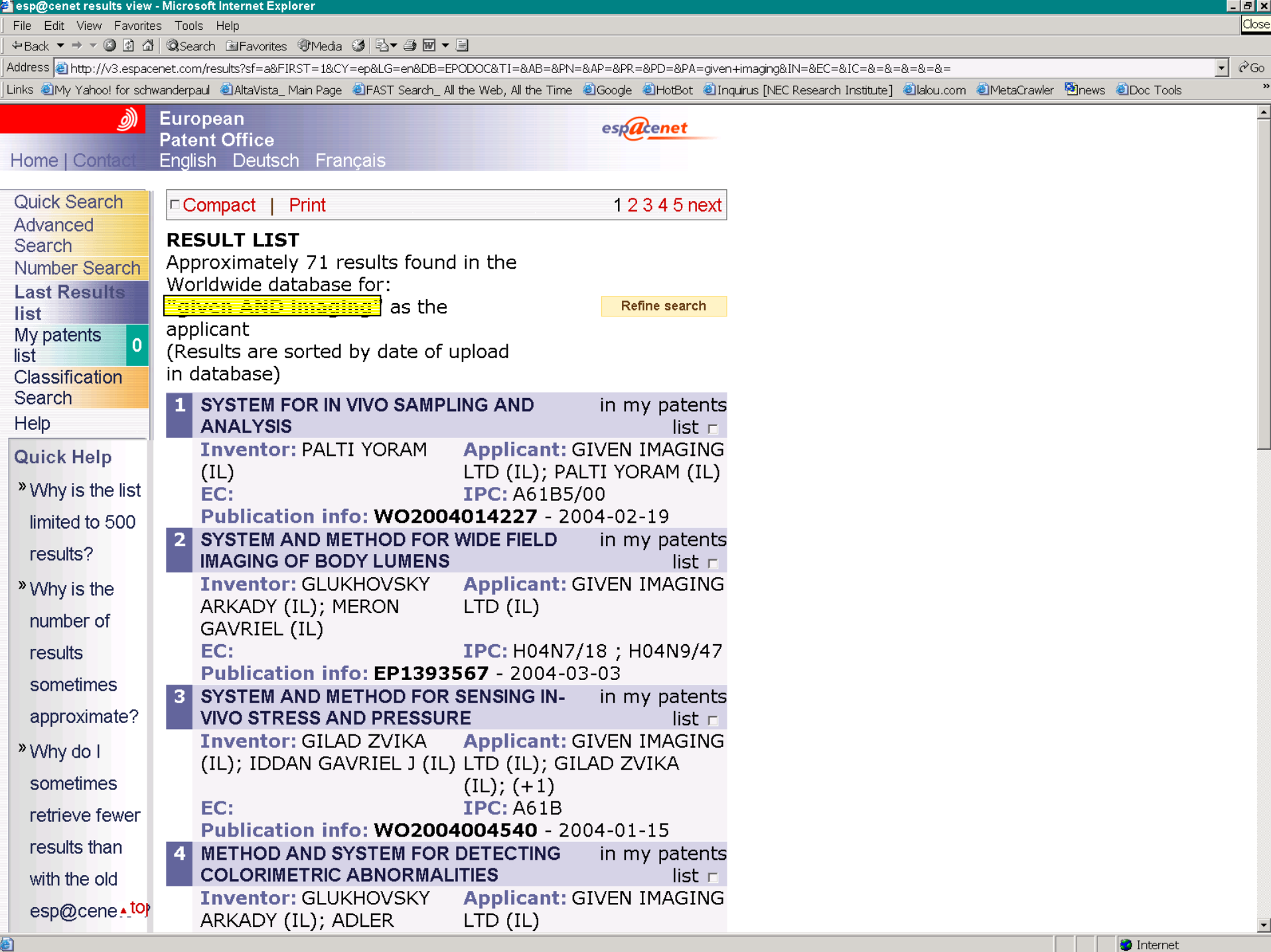
... Carmel Mountain range and learned the background of the **M2A** Imaging Capsule ... and decided that it merited further development, applying for **patent** protection and ...

www.ishitech.co.il/sep00ar2.htm - 7k - [In cache](#) - [Gelijkwaardige pagina's](#)

[\[PDF\]HTIR00.1000_q3](#)

Bestandsformaat: PDF/Adobe Acrobat - [HTML versie](#)

... work and decided that it merited further development applying for **patent** protection



- Quick Search
- Advanced Search
- Number Search
- Last Results list
- My patents list 0
- Classification Search
- Help

Quick Help

» Why is the list limited to 500 results?

» Why is the number of results sometimes approximate?

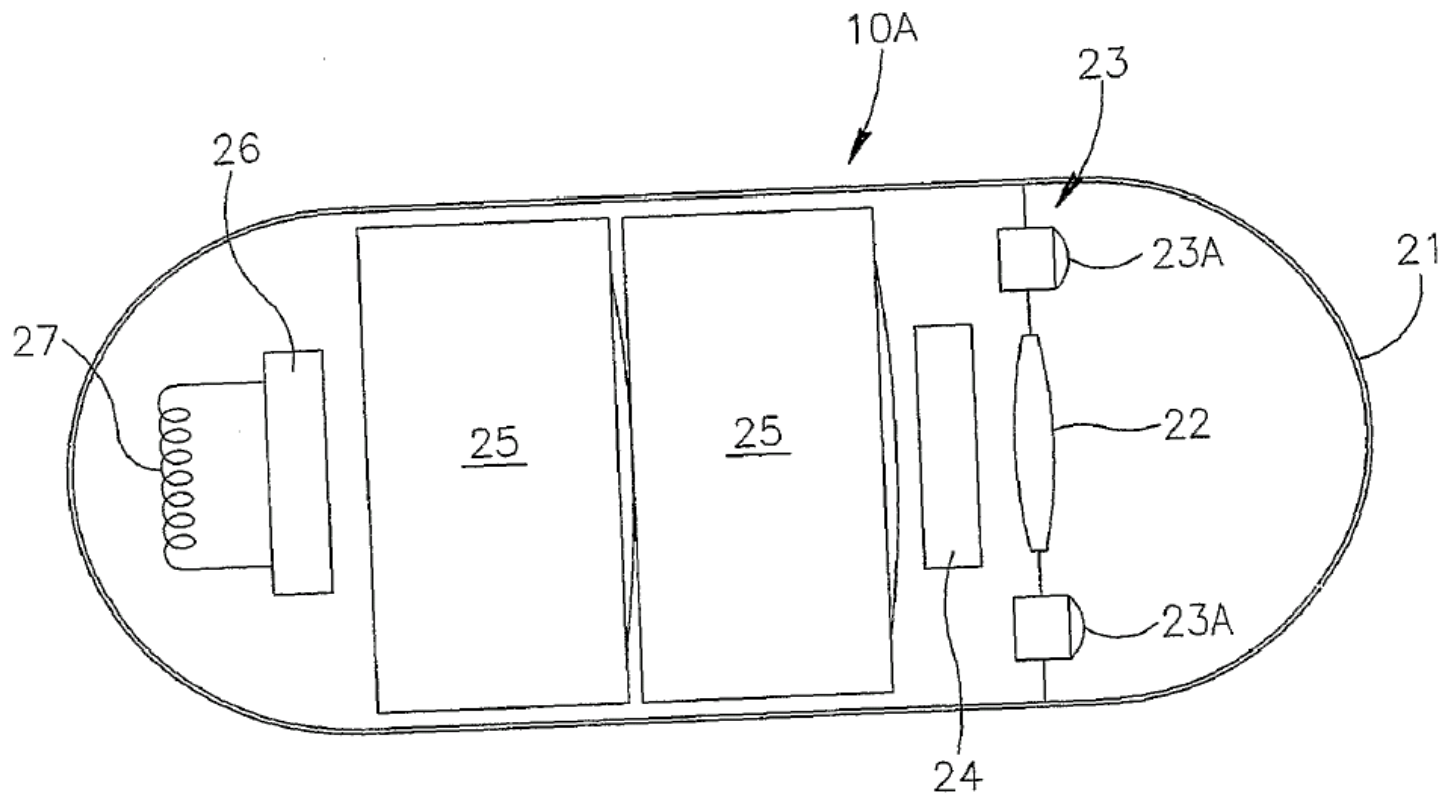
» Why do I sometimes retrieve fewer results than with the old esp@cene▲top

Compact | [Print](#) 1 2 3 4 5 next

RESULT LIST
Approximately 71 results found in the Worldwide database for:
given AND imaging as the [Refine search](#)
applicant
(Results are sorted by date of upload in database)

- | | | |
|----------|---|--|
| 1 | SYSTEM FOR IN VIVO SAMPLING AND ANALYSIS | in my patents list <input type="checkbox"/> |
| | Inventor: PALTI YORAM (IL) | Applicant: GIVEN IMAGING LTD (IL); PALTI YORAM (IL) |
| | EC: | IPC: A61B5/00 |
| | Publication info: WO2004014227 - 2004-02-19 | |
| 2 | SYSTEM AND METHOD FOR WIDE FIELD IMAGING OF BODY LUMENS | in my patents list <input type="checkbox"/> |
| | Inventor: GLUKHOVSKY ARKADY (IL); MERON GAVRIEL (IL) | Applicant: GIVEN IMAGING LTD (IL) |
| | EC: | IPC: H04N7/18 ; H04N9/47 |
| | Publication info: EP1393567 - 2004-03-03 | |
| 3 | SYSTEM AND METHOD FOR SENSING IN-VIVO STRESS AND PRESSURE | in my patents list <input type="checkbox"/> |
| | Inventor: GILAD ZVIKA (IL); IDAN GAVRIEL J (IL) | Applicant: GIVEN IMAGING LTD (IL); GILAD ZVIKA (IL); (+1) |
| | EC: | IPC: A61B |
| | Publication info: WO2004004540 - 2004-01-15 | |
| 4 | METHOD AND SYSTEM FOR DETECTING COLORIMETRIC ABNORMALITIES | in my patents list <input type="checkbox"/> |
| | Inventor: GLUKHOVSKY ARKADY (IL); ADLER | Applicant: GIVEN IMAGING LTD (IL) |

1/4





- Become a Given Member
- About M2A®
- Medical Professionals
- Newsroom
- About Given

- Home
- Sign In
- Given Careers
- Search
- Contact Us
- Investors

- English
- Canadian
- Français
- Deutsch
- Español
- Italiano
- 日本語



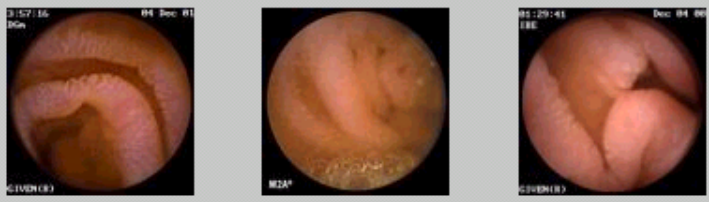
Expanding the Scope of GI

The Given® Diagnostic System is based on the patented M2A Ingestible Imaging Capsule, which records color video images as it glides smoothly through the digestive tract and is naturally excreted.[\(more\)](#)



Images From Case Studies

View actual [images](#) and [videos](#) taken by the M2A Capsule. Capsule videos now available in streaming video format.



GastroHep.com

The global online resource for gastroenterology, hepatology & endoscopy

Noteworthy

Given News

4 March 2003
Given Imaging Announces FDA Clearance of Suspected Blood Indicator Feature [\(more\)](#)

3 March 2003
Given Imaging Announces Six New Coverage Policies for Capsule Endoscopy [\(more\)](#)

20 February 2003
Given Imaging's M2A To Be Reimbursed By Portuguese Hospital System [\(more\)](#)

19 February 2003
Given Imaging Announces Publication in Gut [\(more\)](#)

Given Investors

[Stock Quote \(GIVN\)](#)



Bear in mind

- Combining WWW information with *esp@cenet[®]* yields relevant results
- *esp@cenet[®]* reduces the distance to the information



Patent information is more than
just technical information



A legal search

- Looking for legal and statutory patent information using
- *epoline* [®] services :
 - The European Patent register
 - Online File Inspection

Microsystems based Visual Prosthesis

The MIVIP project is terminated since 30 November, 1999. For updated information about the current research on this visual prosthesis, please visit the [Optivip Web pages](#)

Home

Summary

Partners

Publications

Press conference

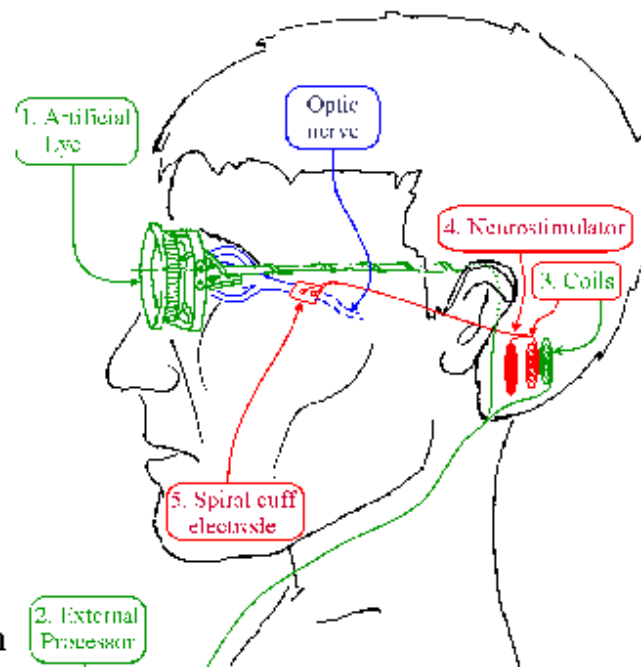
Disclaimer

The Mivip project aims at realising microsystems based prototypes in the field of rehabilitation engineering, and at demonstrating the efficacy of a functional prototype of visual prosthesis interfaced with the optic nerve.

MIVIP is funded by the European Commission ([Esprit project LTR 22527](#)), from December 1, 1996 to November 30, 1999.



MIVIP is a research project. No commercial product nor extended human





European
Patent Office

PCT

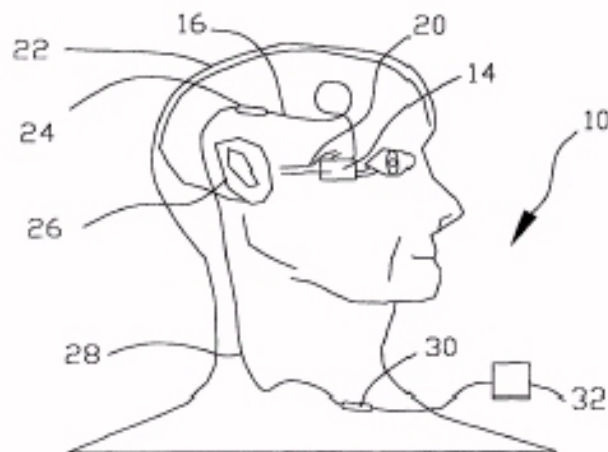
WORLD INTELLECTUAL PROPERTY ORGANIZATION
International Bureau



INTERNATIONAL APPLICATION PUBLISHED UNDER THE PATENT COOPERATION TREATY (PCT)

(51) International Patent Classification ⁶ : A61N 1/08		A1	(11) International Publication Number: WO 00/06248
(21) International Application Number: PCT/US99/16793		(43) International Publication Date: 10 February 2000 (10.02.00)	
(22) International Filing Date: 23 July 1999 (23.07.99)		(81) Designated States: AL, AM, AT, AU, AZ, BA, BB, BG, BR, BY, CA, CH, CN, CU, CZ, DE, DK, EE, ES, FI, GB, GE, GH, GM, HR, HU, ID, IL, IS, JP, KE, KG, KP, KR, KZ, LC, LK, LR, LS, LT, LU, LV, MD, MG, MK, MN, MW, MX, NO, NZ, PL, PT, RO, RU, SD, SE, SG, SI, SK, SL, TJ, TM, TR, TT, UA, UG, US, UZ, VN, YU, ZW, ARIPO patent (GH, GM, KE, LS, MW, SD, SL, SZ, UG, ZW), Eurasian patent (AM, AZ, BY, KG, KZ, MD, RU, TJ, TM), European patent (AT, BE, CH, CY, DE, DK, ES, FI, FR, GB, GR, IE, IT, LU, MC, NL, PT, SE), OAPI patent (BF, BI, CF, CG, CI, CM, GA, GN, GW, ML, MR, NE, SN, TD, TG).	
(30) Priority Data: 60/094,266 27 July 1998 (27.07.98) US 60/100,492 16 September 1998 (16.09.98) US			
(71)(72) Applicants and Inventors: MORTIMER, J., Thomas [US/US]; 15735 County Line Road, Chagrin Falls, OH 44022 (US); VERAART, Claude, G. [BE/BE]; Avenue Hippocrate 54, Gen-54.46, B-1200 Brussels (BE).			
(74) Agent: LITZINGER, Jermol, J.; Suite 600, 4445 Lake Forest Drive, Cincinnati, OH 45242 (US).			
Published With international search report.			

(54) Title: DEVICE AND METHOD FOR PRODUCTION OF VISUAL SENSATIONS BY OPTIC NERVE STIMULATION



(57) Abstract

This invention is a method, and device for producing visual sensations within blind persons. The method includes installing a self-sizing spiral nerve cuff electrode (14) about the optic nerve (30) of a blind person, and transmitting electrical pulses to the nerve to generate phosphenes within the patient's visual field.



Online European Patent Register

Publication Number / Date

eg. EP811545 or WO9504154
eg. 19980826

Application Number / Date

eg. EP1988850217 or WO1994JP01239
eg. 19980826

Priority Number / Date

eg. FR19910001995
eg. 19980830

Applicant

eg. Smith George
or Phillips

Inventor

eg. Smith George
or Phillips

Representative

eg. Smith George
or Smith Hellmann and Partner

Opponent

eg. Smith George
or Phillips

Classification (IPC)

eg. B62J1/02

[Deutsch](#)[Legal notices](#)
[epoline® homepage](#)[Français](#)

Online European Patent Register - Results

Status of the database as of 07-03-2003 (dd-mm-yyyy)

Choose your View:

[Return to Search Screen](#)

Most recent event

Renewal fee
Date of entry 02-07-2002

Publication numbers, publication type and publication dates

[EP1113840](#) A1 10-02-2000 [2001/28]
[WO0006248](#) 10-02-2000 [2001/28]

Application numbers and filing date

Date of filing EP19990935891 (99935891.4)
23-07-1999 [2001/28]
WO1999US16793

Date of publication of search report

Date of international search report 10-02-2000
International Searching Authority US

Priority number, priority date

US19980094266P 27-07-1998;
US19980100492P 16-09-1998 [2001/28]

Classification (IPC) and bulletin number

A61N1/08 [2001/28]

Designated states

AT , BE , CH , DE , DK , ES , FR , GB , GR , IE , IT , LI , LU , MC , NL , PT , SE , FI , CY [2001/28]

Extension of the patent
Country-code/date payment/date withdrawal AL/00000000/00000000
Country-code/date payment/date withdrawal LT/00000000/00000000
Country-code/date payment/date

Designated states, applicant name, address

FOR ALL DESIGNATED STATES
 Axon Engineering, Inc.
 15264 NEO Parkway
 Garfield Heights, OH 44128/US
 FOR ALL DESIGNATED STATES
 UNIVERSITE CATHOLIQUE DE LOUVAIN
 1, Place de l'Université
 1348 Louvain la Neuve/BE [2002/11]

Inventor name, address

see applicant [2001/28]

Representative name, address

Bird, Ariane, et al
 Bird Goen & Co, Klein Dalenstraat 42A
 3020 Winksele/BE [2001/28]

Filing language

EN

Procedure language

EN

Location of file and fax number for file inspection requests

Application is treated in (/fax-nr) THE HAGUE/(+31-70) 3403016

PCT: Acts performed for entry into EPO regional phase

Acts performed for entry into the regional phase 06-02-2001
 - National basic fee paid 06-02-2001
 - Search fee paid 04-05-2001
 - Designation fee(s) paid 06-02-2001
 - Examination fee paid 06-02-2001

Examination procedure

Date of request for preliminary examination 24-02-2000
 request for examination 07-02-2001 [2001/28]

Renewal fees

Renewal fee A.86 (patent year /

**Public File Inspection (Public Beta)**

(available from 08:00 to 18:00 hrs. CET)

epoline@ [Customer Services](#) Tel: (+31 70) 340 45 00

Open Monday to Friday, 08:00 to 18:00 hrs. CET

Enter Application Number: Viewed dossiers: **Welcome to the epoline Public File Inspection service.**

This online service of the European Patent Office implements Article 128 of the European Patent Convention whereby the public is entitled to inspect the complete contents of all European Patent Applications after they have been published.

A large and increasing number of patent applications are stored in image format at the EPO and these files may be inspected remotely using this facility. If you enter a valid application number and select "Display Dossier" then the complete contents of the file will be displayed in this space as a "Table of Contents" sorted by the relevant date for each document. By clicking on the link for each document you can display the image of that document in a viewer which will be downloaded and started automatically.

By checking the box next to each document you can select that document for download to your PC. You can also select all the documents at once by clicking "Select All". If the application is not available in electronic form then you are kindly referred to the epoline Customer Services who will advise you on how to inspect files which are still in paper form.



Public File Inspection (Public Beta)

(available from 08:00 to 18:00 hrs. CET)

epoline@ [Customer Services](#) Tel: (+31 70) 340 45 00

Open Monday to Friday, 08:00 to 18:00 hrs. CET

Enter Application Number:



Viewed dossiers:

Date	Document [WO1999US16793]	Pages
2002-01-17	Payment voucher	1 <input type="checkbox"/>
2002-01-17	Requests for assignment	2 <input type="checkbox"/>
2002-01-14	Requests for assignment	2 <input type="checkbox"/>
2001-08-06	Communication of transfer of rights	2 <input type="checkbox"/>
2001-08-01	Assignment (finding: Int. instructions)	1 <input type="checkbox"/>
2001-07-19	Requests for assignment	1 <input type="checkbox"/>
2001-07-19	Requests for assignment	1 <input type="checkbox"/>
2001-07-17	Requests for assignment	2 <input type="checkbox"/>
2001-05-29	Info on forthcoming pub. bibl. data	1 <input type="checkbox"/>
2001-05-07	Document concerning fees and payments	1 <input type="checkbox"/>
2001-05-04	Document concerning fees and payments	1 <input type="checkbox"/>
2001-04-27	FFEE/SFEE/DEST not paid	3 <input type="checkbox"/>
2001-03-26	Communication regarding amendment/payment of CLMS (Rule 109 EPC)	2 <input type="checkbox"/>
2001-02-08	Request to enter regional phase (EPCT)	6 <input type="checkbox"/>



C O M M U N I C A T I O N

concerning the registration of a transfer (Rule 20 EPC)

concerning the change of name of the applicant (Rule 92(1)(f) EPC)

As requested, the records concerning the applicant of the above-mentioned European patent application have been amended to the following:

AT-BE-CH-CY-DE-DK-ES-FI-FR-GB-GR-IE-IT-LI-LU-MC-NL-PT-SE
Mortimer, J. Thomas
13735 County Line Road
Chagrin Falls, OH 44022/US

AT-BE-CH-CY-DE-DK-ES-FI-FR-GB-GR-IE-IT-LI-LU-MC-NL-PT-SE
UNIVERSITE CATHOLIQUE DE LOUVAIN
1, Place de l'Université
1348 Louvain la Neuve/BE

The transfer (change of name) takes effect from ...*1.7.07.2001*...

In the case of a published application, the change will be recorded in the Register of European Patents and published in the European Patent Bulletin (Section I.12).



Industrial Applicability (IA)

Claims	1-14	YE
Claims	NONE	NO

citations and explanations (Rule 70 7)

Claims 1-14 meet the criteria set out in PCT Article 33(2)-(4) because the prior art does not teach or fairly suggest the feature, and method steps of using a "cuff electrode" around the optic nerve of a patient. The prior art references of Yamamoto et al. '263, and Beck '508 describe optic nerve stimulation devices which utilize stimulation electrodes mounted externally to a patient's temple (column 3 lines 5-8 of Yamamoto et al. '263, and Fig.1 of Beck '508). Though the Byers et al. '468 suggest direct stimulation of the nerve fibers, they use electrode needle arrays which sandwich a patient's optical nerve fibers rather than a "cuff electrode".

----- NEW CITATIONS -----

US 5,674,263 A (YAMAMOTO et al.) 07 OCTOBER 1997. see Fig.1, and Abstract.



**Absence of evidence is no
evidence of absence**



Absence of evidence

US56

Bibliographic data	Description	Claims	Mosaics	Original document	INPADOC LEGAL status
<p>Patent number: US56 Publication date: 0000-00-00 Inventor: Applicant: Classification: - international: - european: Application number: USD56 00000000 Priority number(s):</p> <p>View INPADOC patent family</p>					
<p>Abstract not available for US56</p> <p>Data supplied from the esp@cenet database - Worldwide</p>					



Conclusion

Use free tools for:

- **Introductory state of the art searches**
- **Basic bibliographic searches**
- **Basic Technology watch**
- **Specific legal statutory information**





Profesional Search Services

Patent Offices

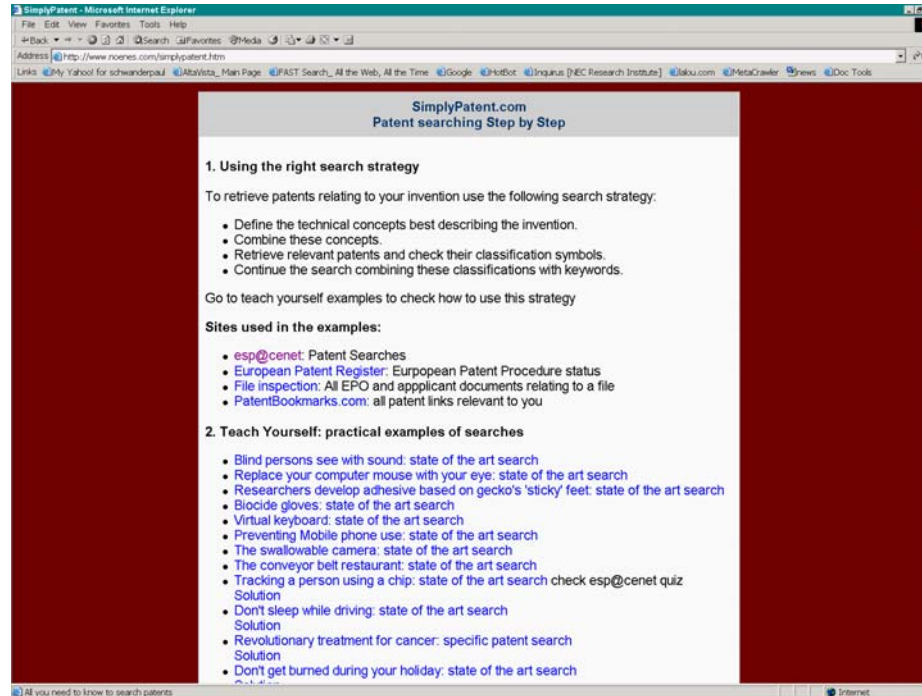
http://www.wipo.int/news/en/links/ipo_web.htm

PATLIB Centres: an EPO network of patent libraries

<http://www.european-patent-office.org/patlib/>



Further reading



SimplyPatent.com



European
Patent Office

Thank you

pschwander@epo.org