



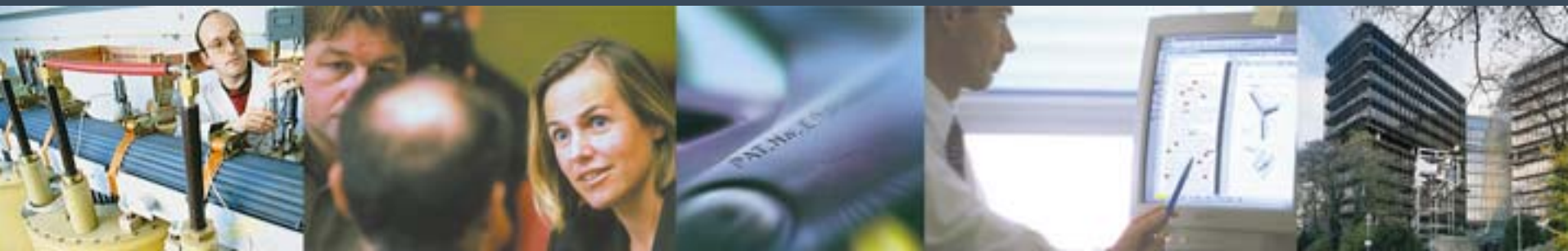
European
Patent Office



Case Studies

Hands On session

WIPO/IASP TRAINING SEMINAR ON IP
June 30, 2004



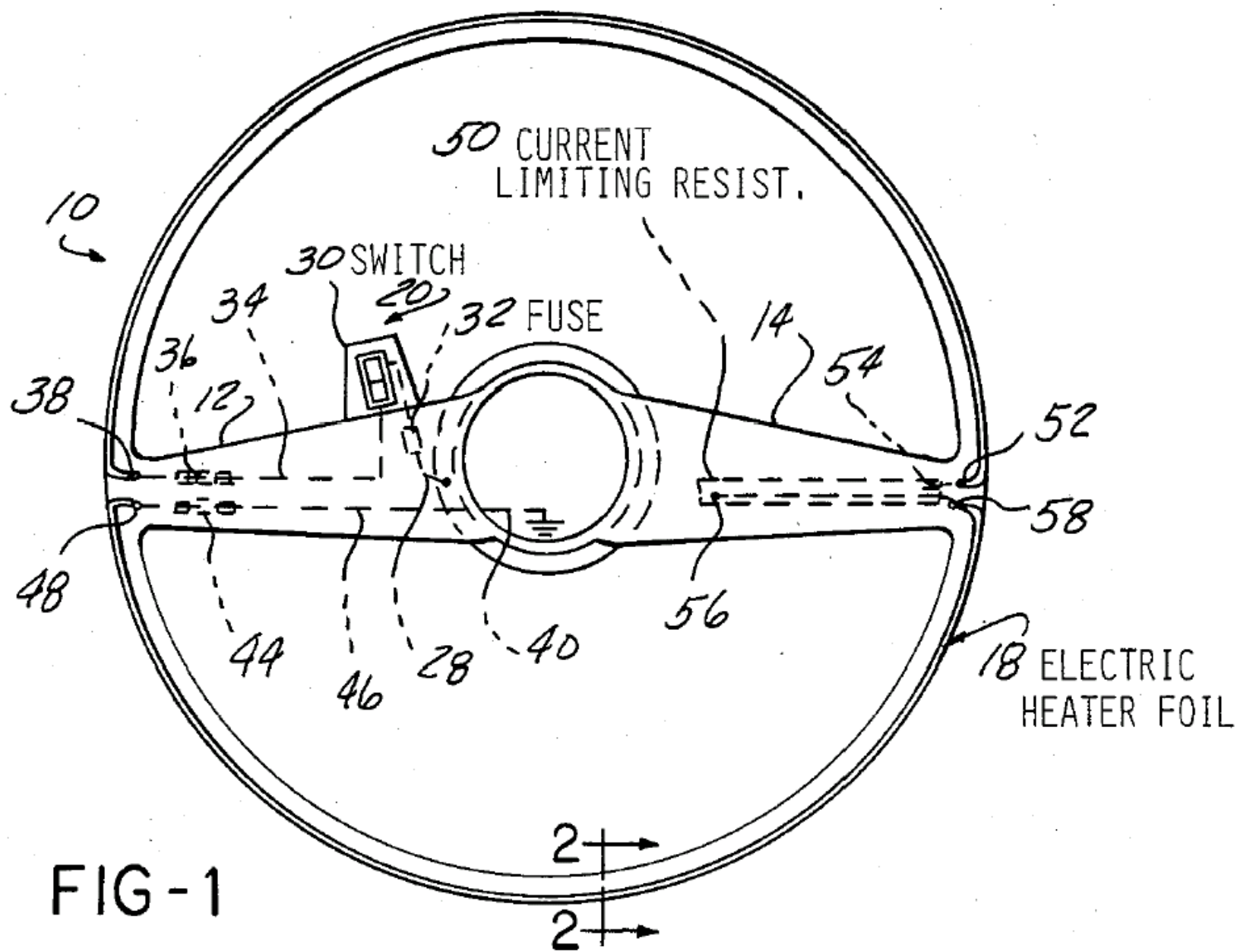
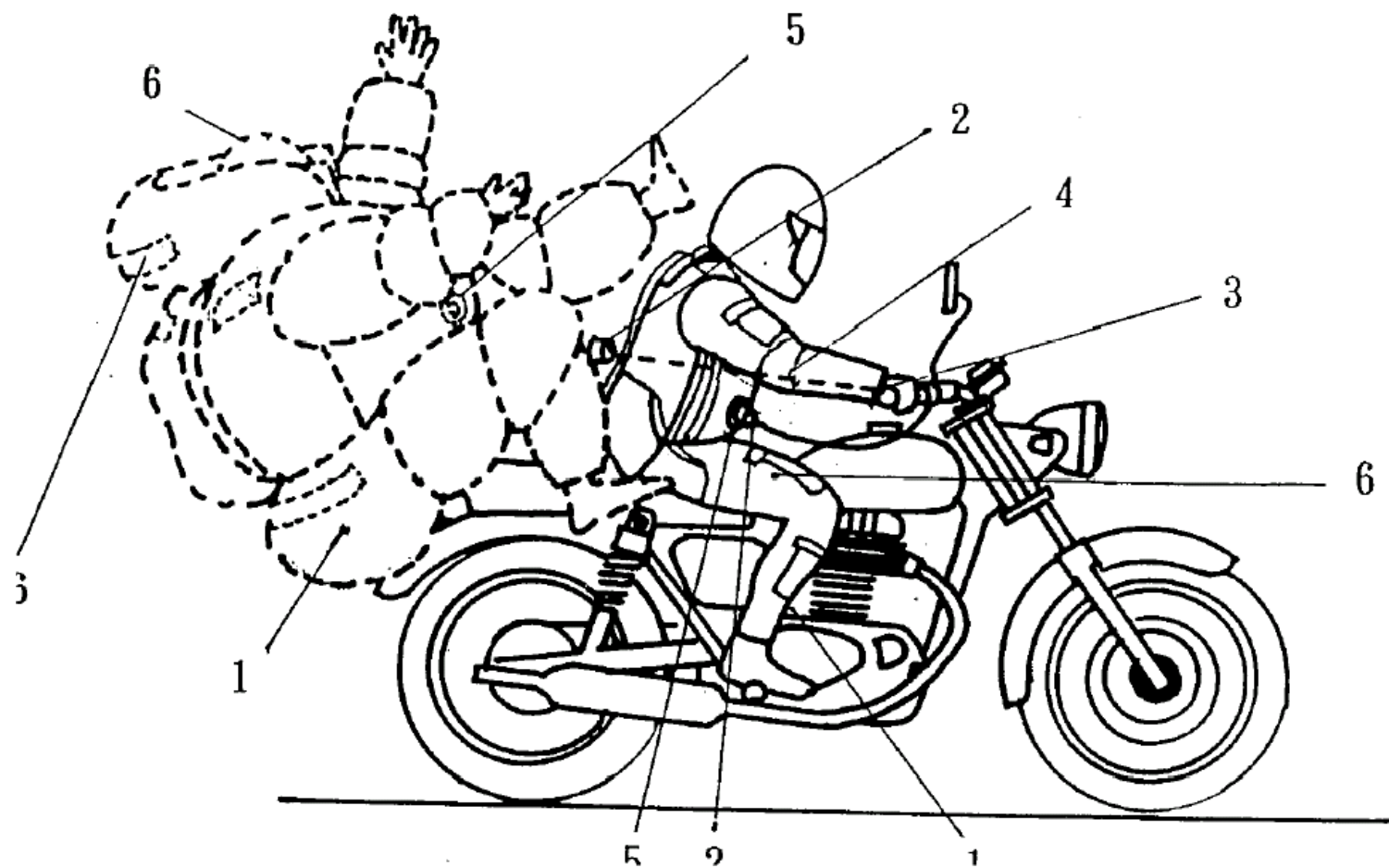
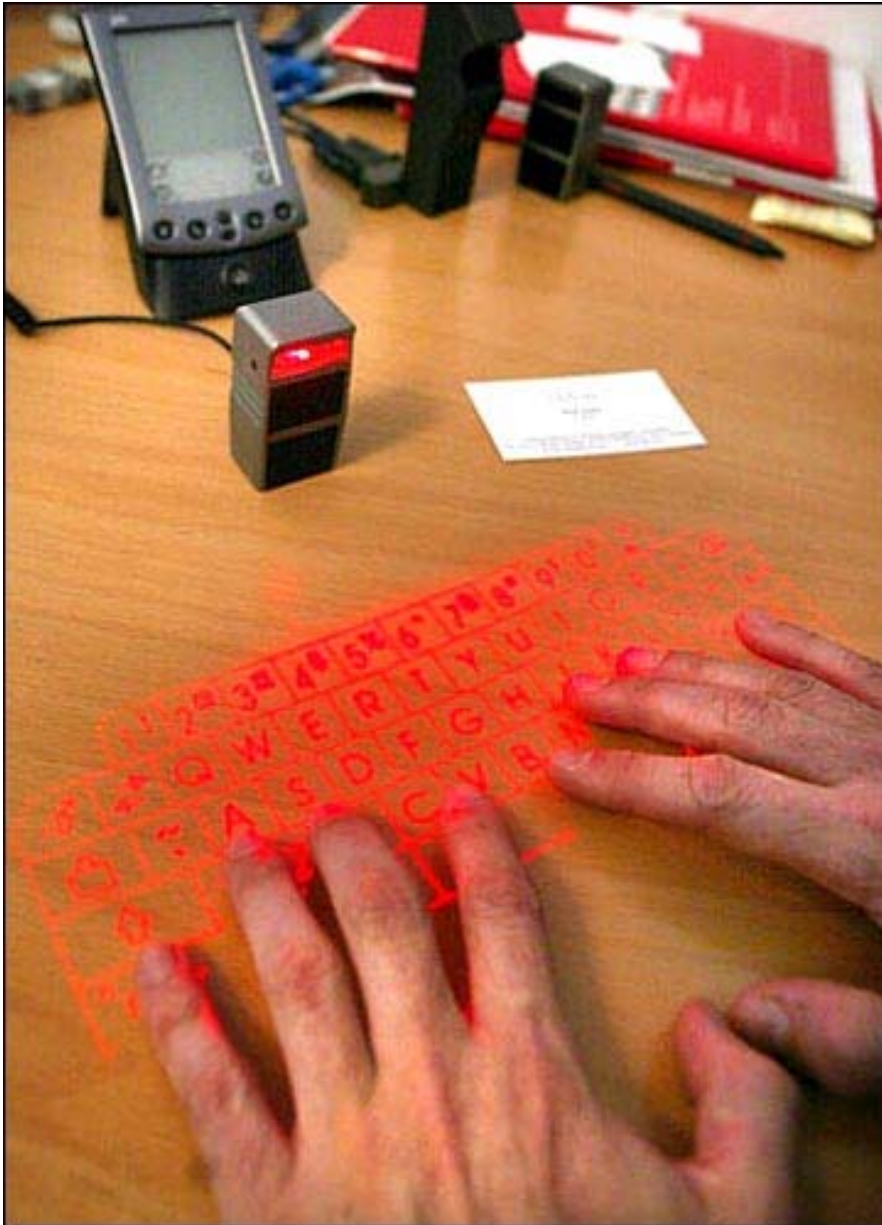


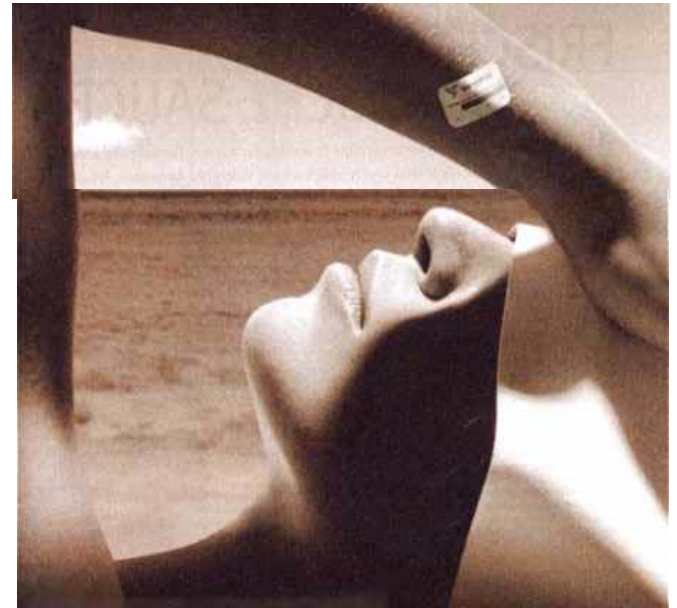
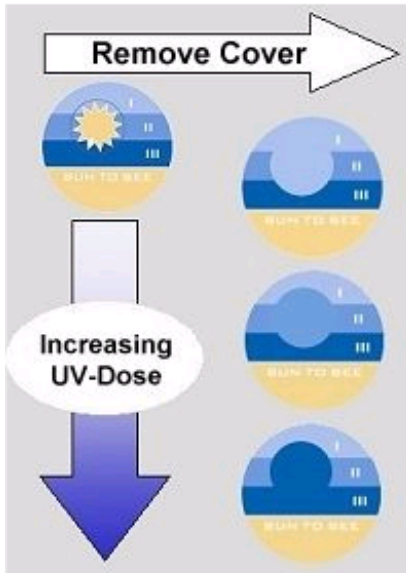
FIG-1

第 1 図





- Retrieve relevant patents
- Seek possible partners to develop a similar product
- Get their contact details



Marketing this product in Europe

Anywayup: find the patent



Retrieving an historic patent: Velcro

