

# Patent Cooperation Treaty (PCT)



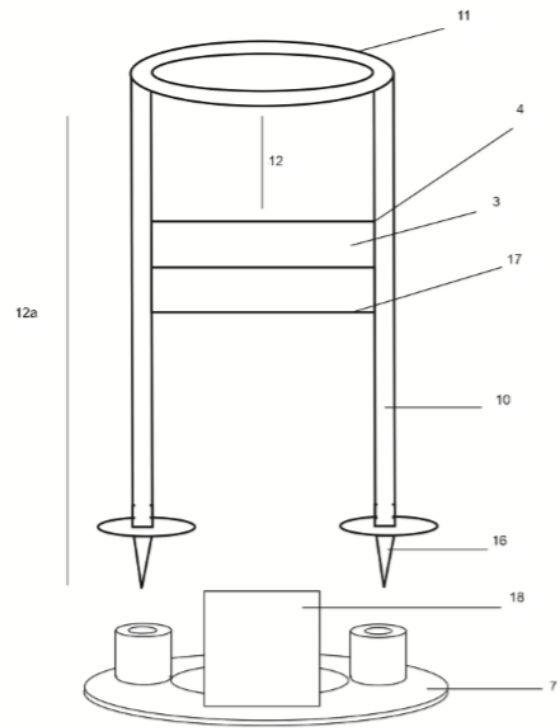
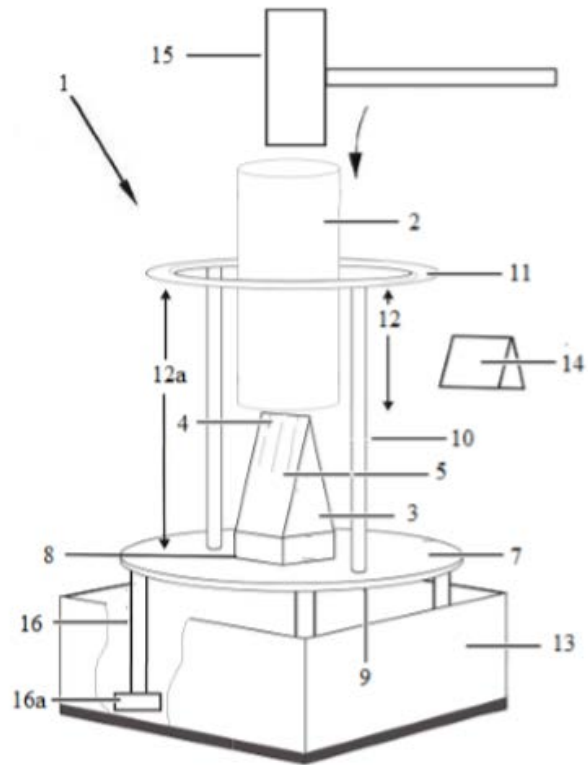
Hanna Kang  
Legal Officer  
PCT Legal and User Relations Division



**Ayla Hutchinson**







# Ayla's NZ provisional patent application



## HOME > 605133 - PROVISIONAL PATENT - IMPROVEMENTS IN AND RELATING TO SPLITTING APPARATUS

Bibliographical Data

History

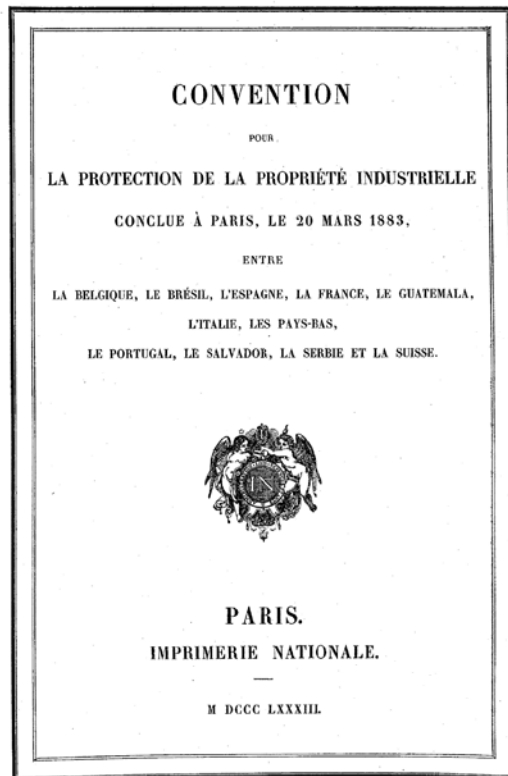
Documents

### 3 History(s)

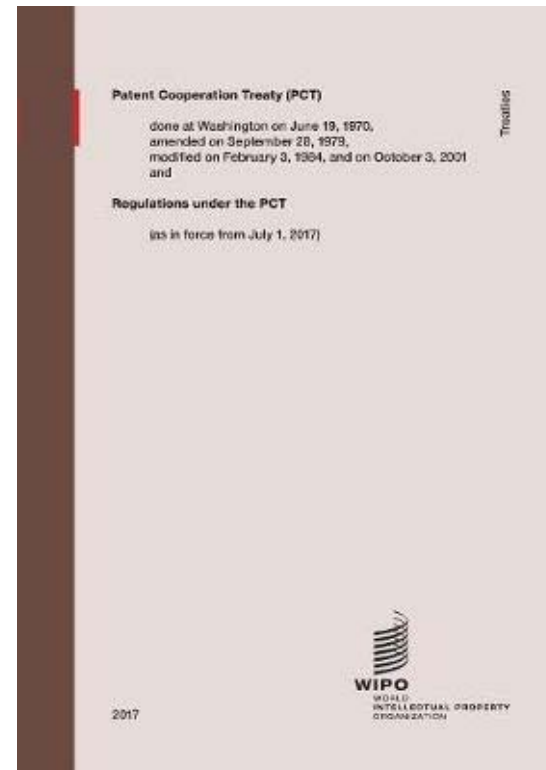
History Type	Description	Creation date	Journal	Published
Provisional application closed	Provisional patent application closed	22 Mar 2014		22 Mar 2014
Provisional Application for Patent Submitted				
	Patent Number (11): 605133			
	Title (54): IMPROVEMENTS IN AND RELATING TO SPLITTING APPARATUS			
	Filing Date (22): 21 Dec 2012			
	Postponement Period: 0			
IPC recorded	Applicant (71): Vaughan John Hutchinson, 175 Surrey Road, RD 8, Inglewood 4388, NZ	14 Jan 2013	1603	25 Jan 2013
	Contact (74): IPSPEC (NZ) LIMITED, 125 Clyde Street, Hamilton East, Hamilton 3216, NZ			
	Inventor(s) (72): Ayla Hutchinson, 175 Surrey Road, RD8, Tariki, Inglewood 4388, NZ			
	International Patent Classification (51): B27L 7/06			
Provisional patent application submitted	Provisional Patent Application submitted	21 Dec 2012		22 Dec 2012

# Two Options for Seeking Multinational Patent Protection

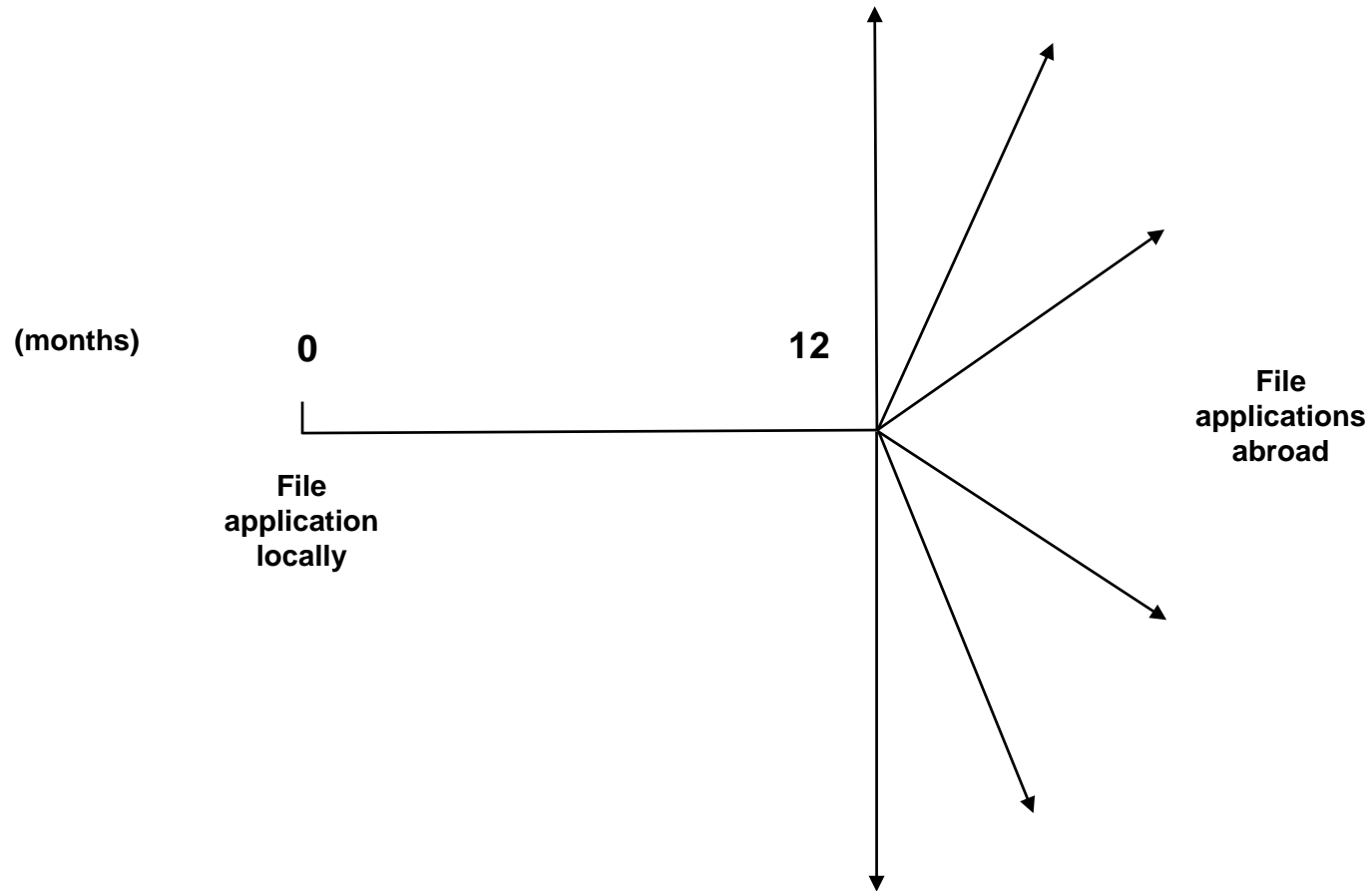
## Paris Convention



## Patent Cooperation Treaty (PCT)

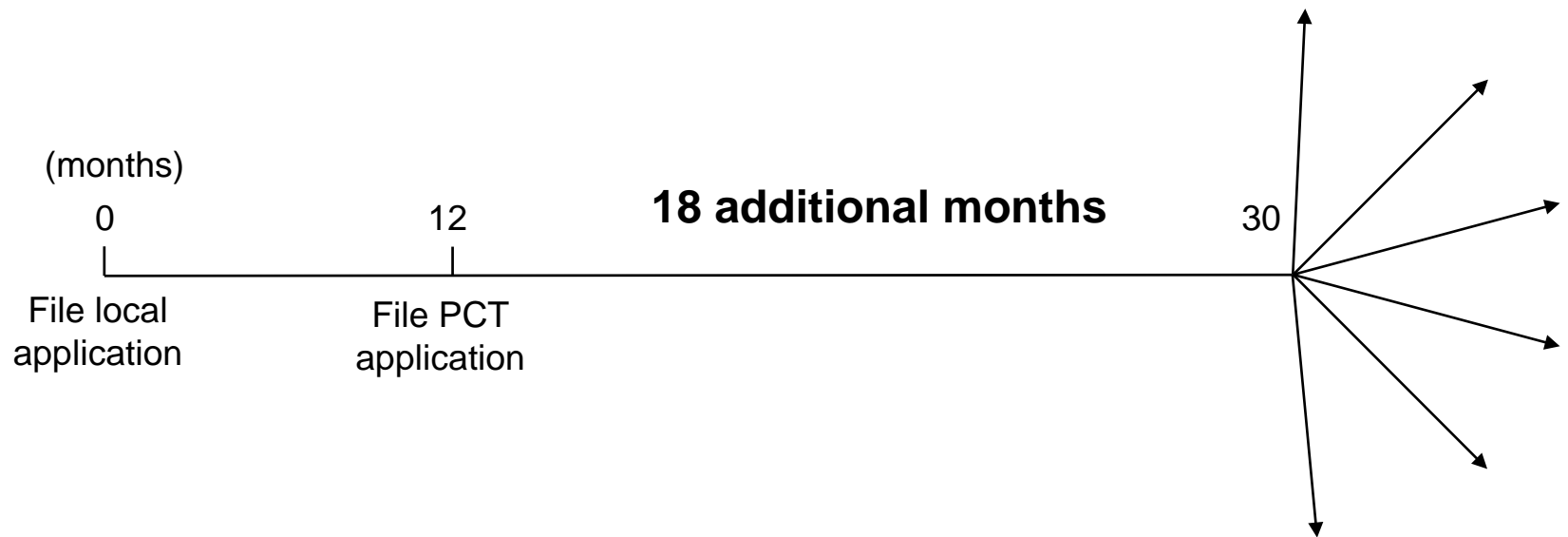


# Paris Convention





# Patent Cooperation Treaty (PCT)



18

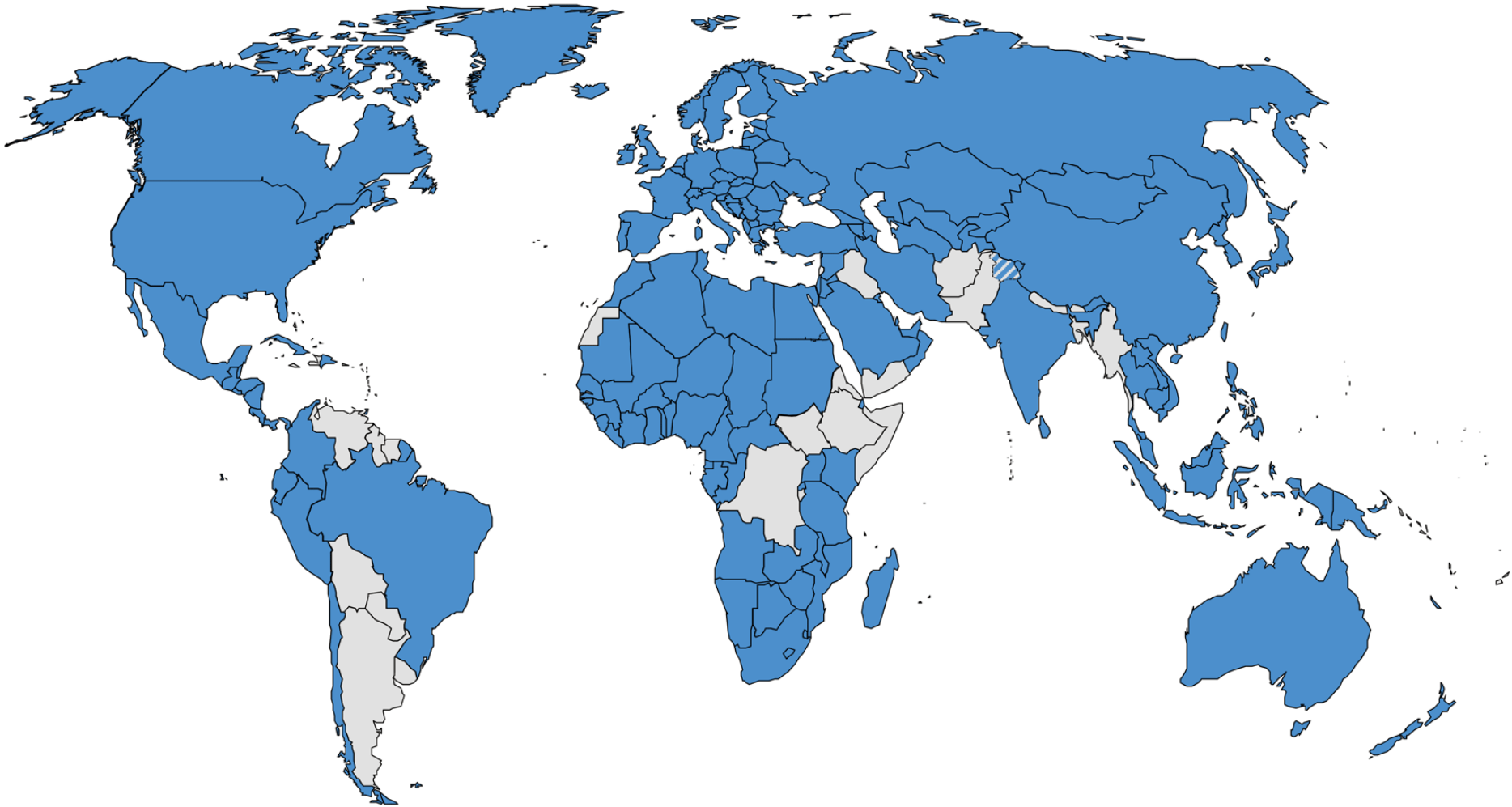
# Benefits of the PCT

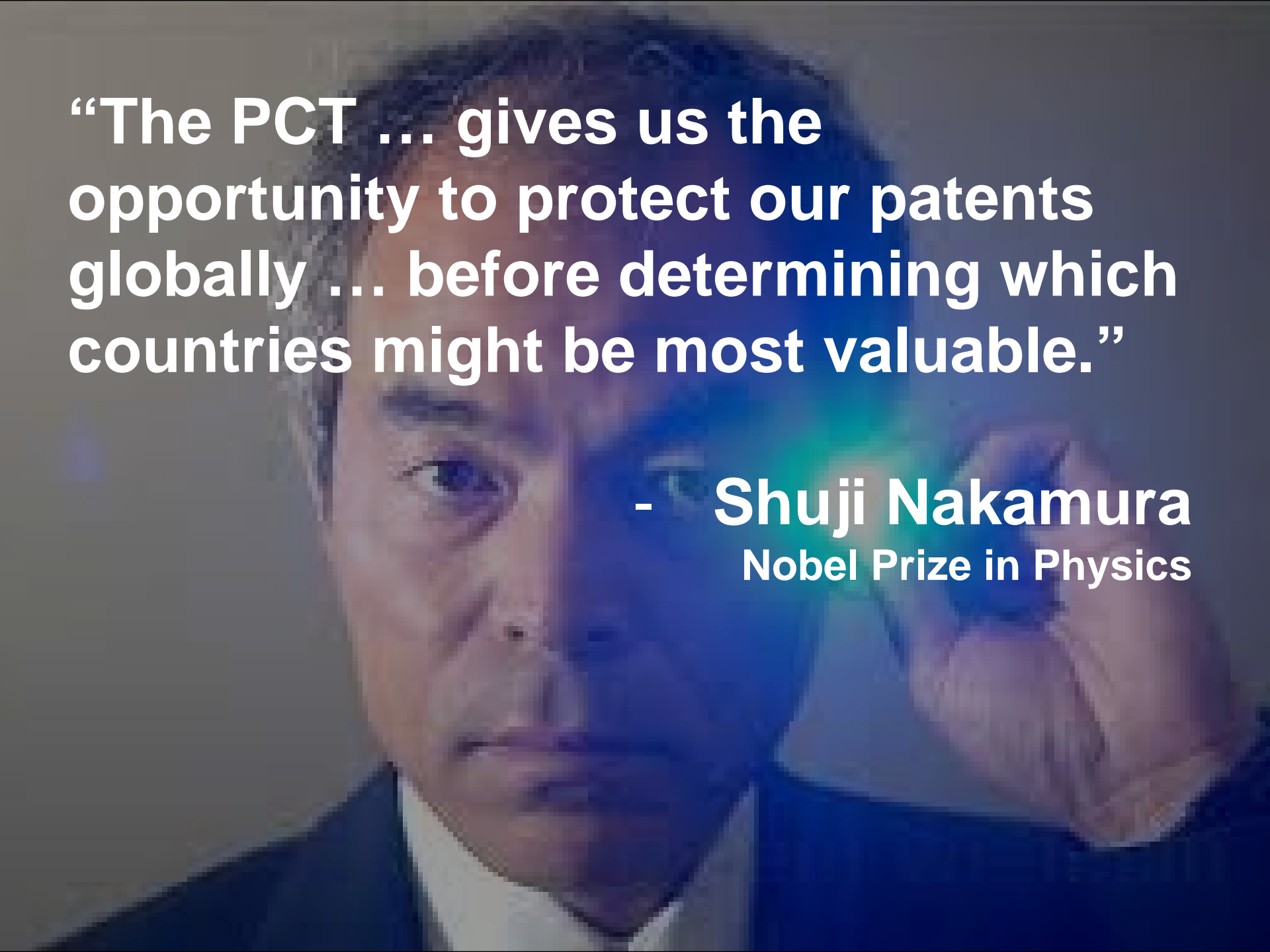
- International reach
- Postponement of costs
- Information gathering

# Benefits of the PCT

- International reach
- Postponement of costs
- Information gathering

# Coverage – 153 Countries



A close-up portrait of Shuji Nakamura, a man with dark hair, wearing a dark suit jacket and a white shirt. He is looking slightly to the right of the camera with a neutral expression. The background is a soft, out-of-focus blue and white.

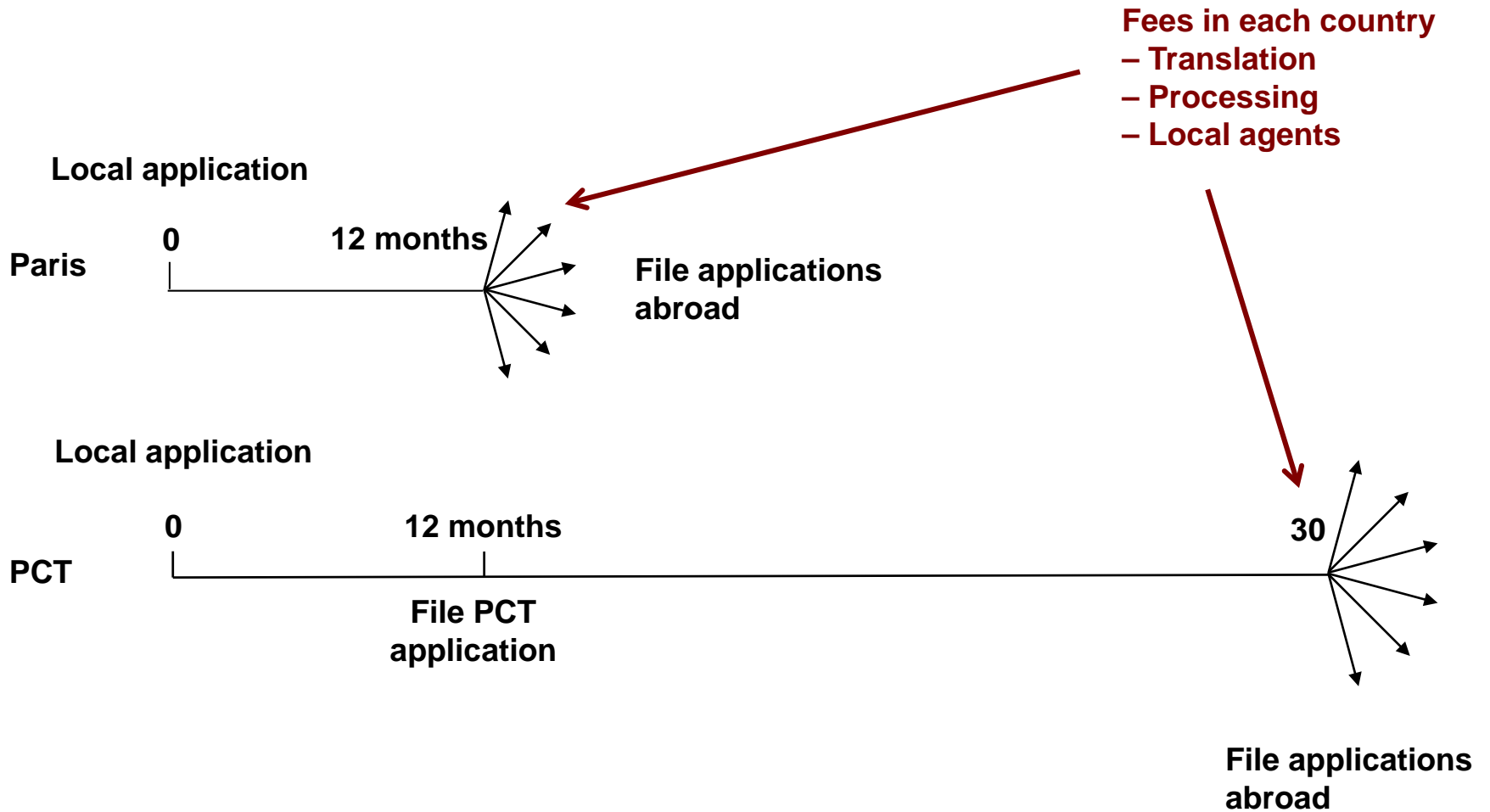
**“The PCT ... gives us the opportunity to protect our patents globally ... before determining which countries might be most valuable.”**

**- Shuji Nakamura**  
**Nobel Prize in Physics**

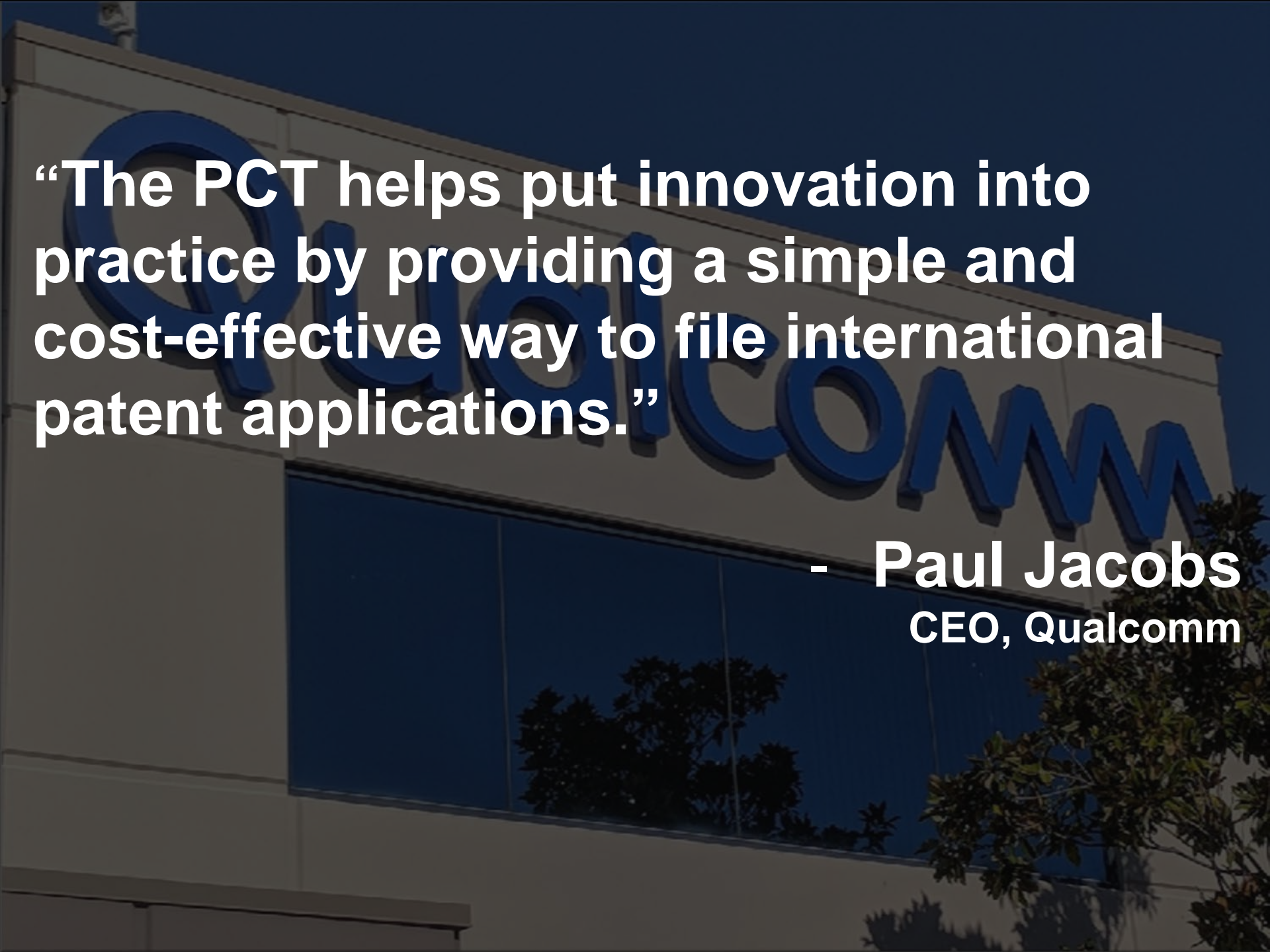
# Benefits of the PCT

- International reach
- Postponement of costs
- Information gathering

# Costs – Paris vs PCT





A photograph of a Qualcomm building with the company name in large blue letters on the facade. The image is darkened to serve as a background for text.

**“The PCT helps put innovation into practice by providing a simple and cost-effective way to file international patent applications.”**

**- Paul Jacobs**  
CEO, Qualcomm

# Benefits of the PCT

- International reach
- Postponement of costs
- Information gathering

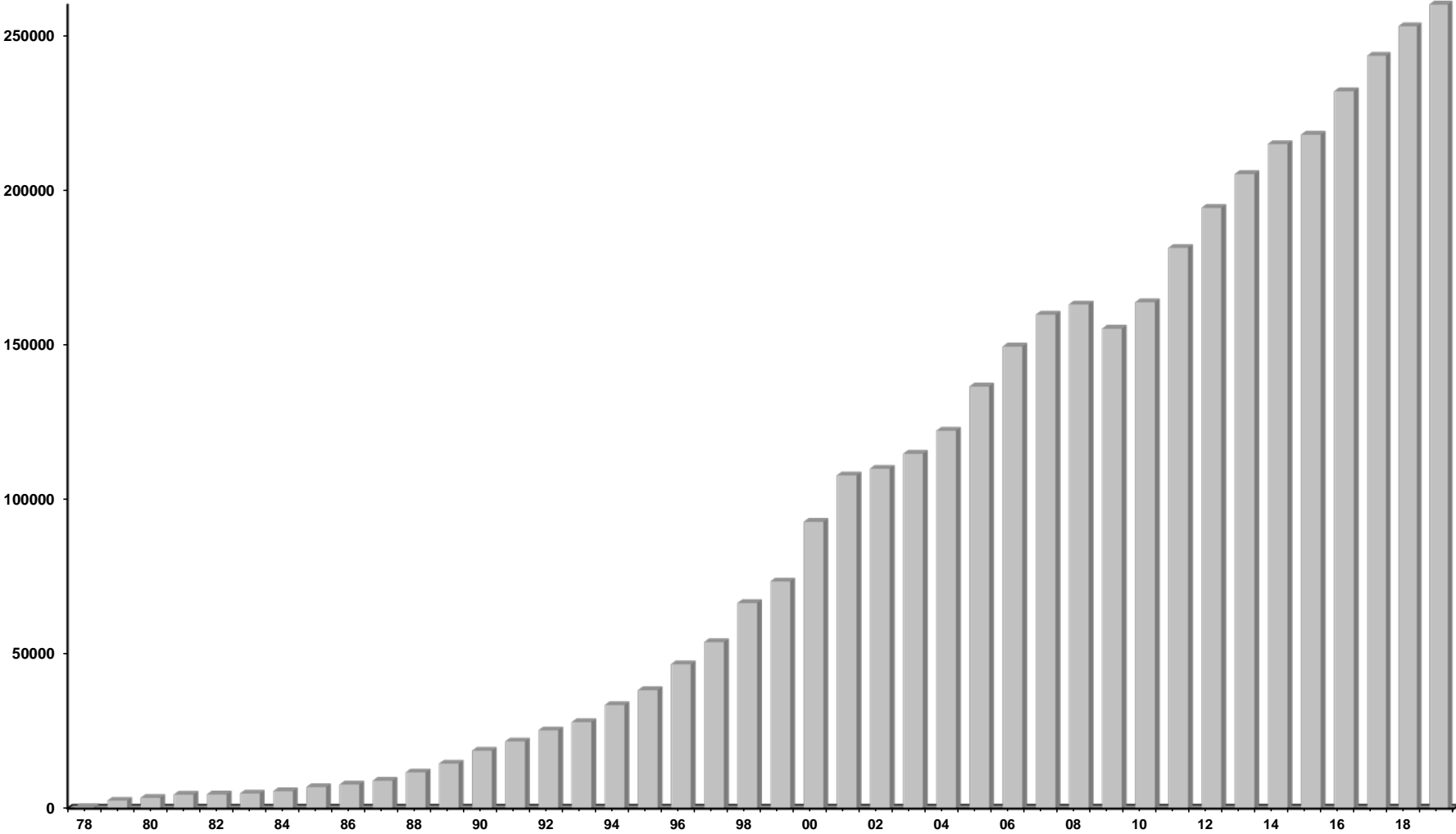
# Feedback on Potential Patentability



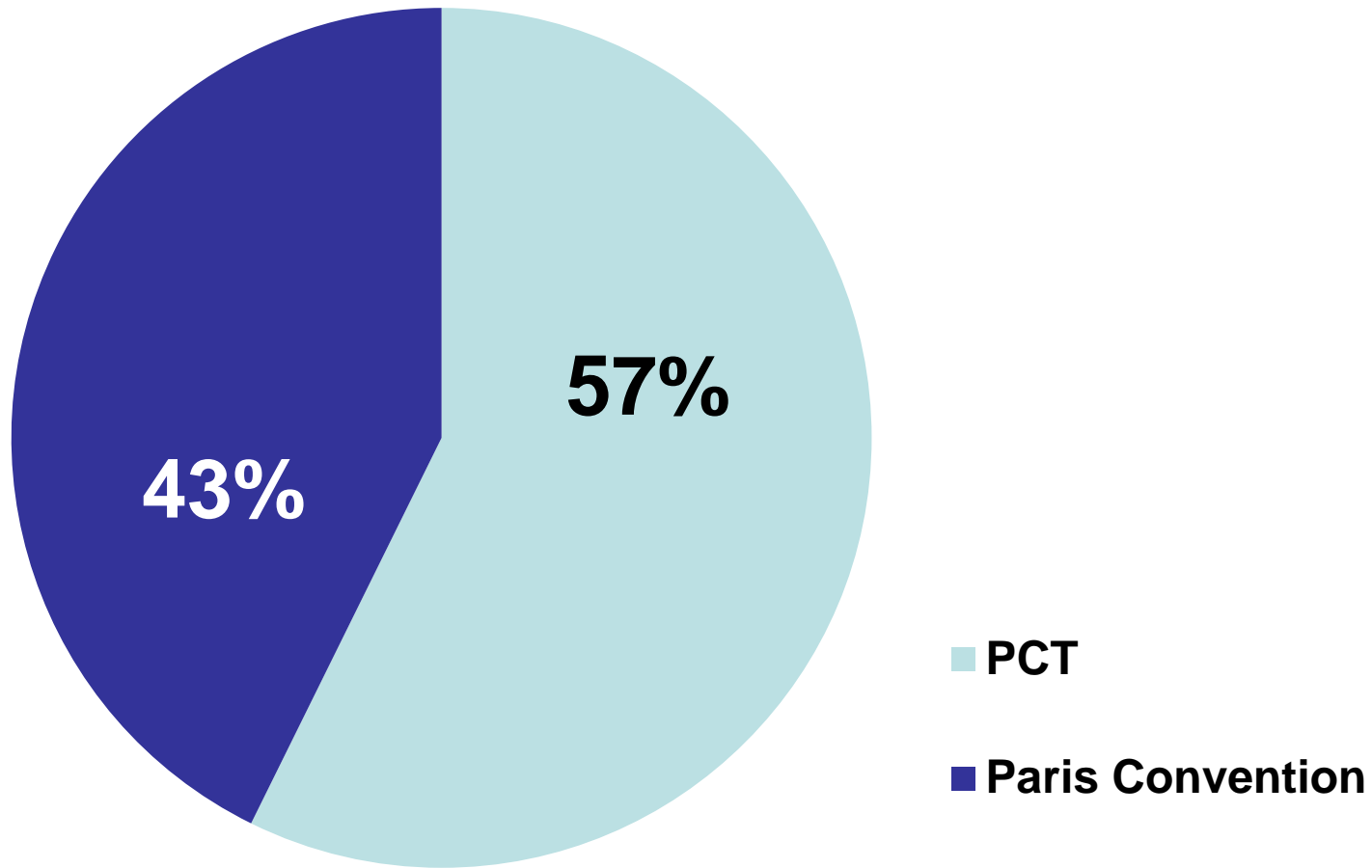
# Benefits of the PCT

- International reach: One application has effect in 153 WIPO member states
- Postponement of costs: 18 extra months before you have to pay for local filings
- Information gathering: receive feedback on your patent application and to do market research and testing

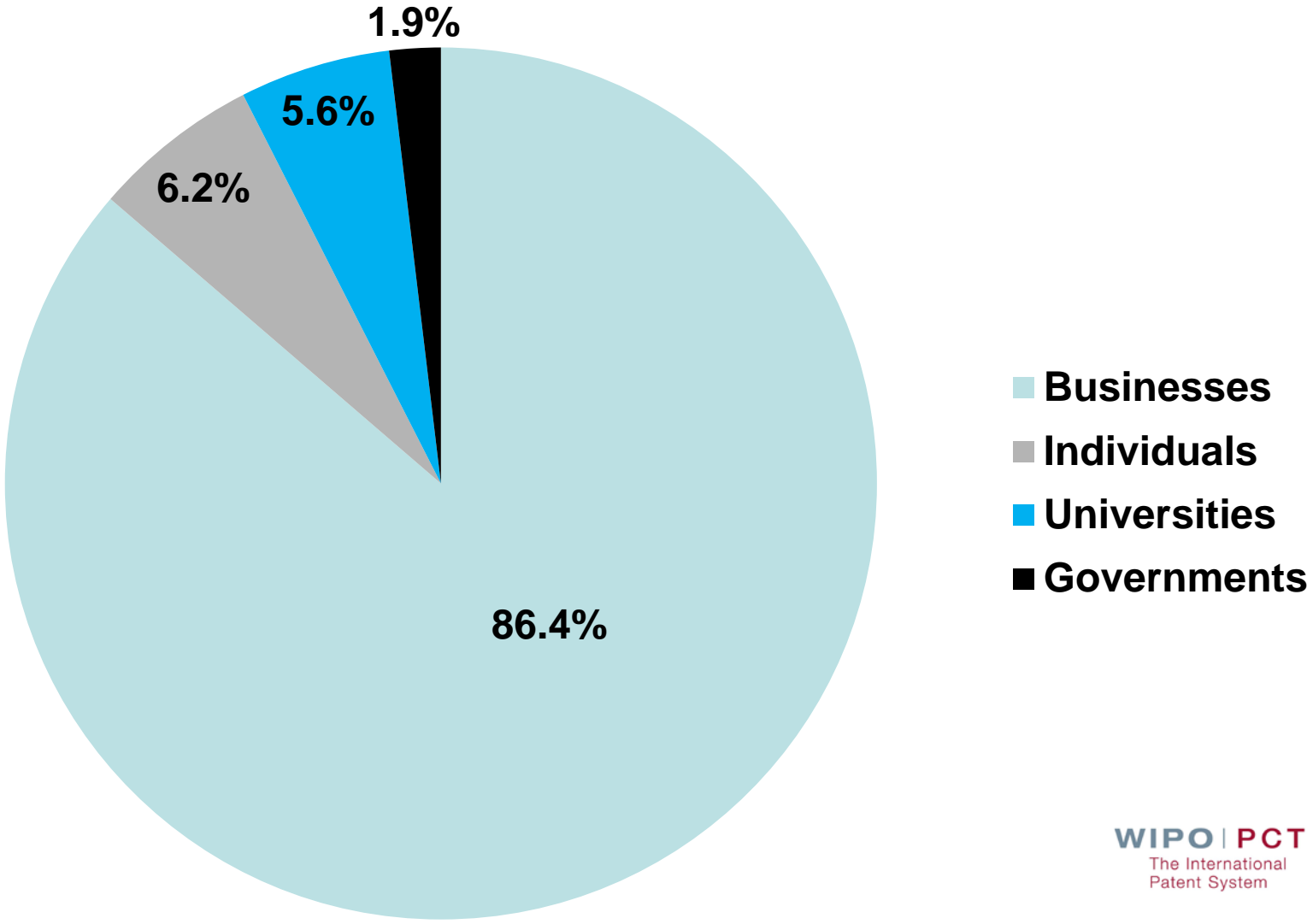
# PCT Applications are Booming



# Most Foreign Filings are via the PCT



# PCT Applicants in 2019



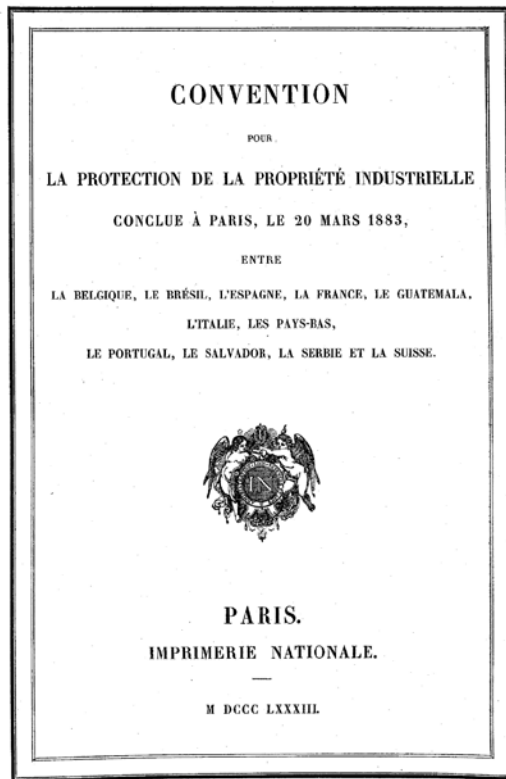


**What did Ayla do?**



# Ayla Chose the PCT

## Paris Convention



## Patent Cooperation Treaty (PCT)



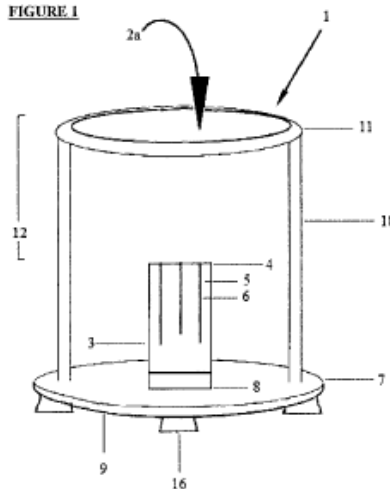


- (51) International Patent Classification:  
B27L 7/00 (2006.01) B26D 1/02 (2006.01)  
B27L 7/06 (2006.01) B26D 7/22 (2006.01)  
B27L 7/08 (2006.01)
- (21) International Application Number: PCT/NZ2013/000239
- (22) International Filing Date:  
19 December 2013 (19.12.2013)
- (25) Filing Language: English
- (26) Publication Language: English
- (30) Priority Data:  
605133 21 December 2012 (21.12.2012) NZ  
613551 24 July 2013 (24.07.2013) NZ
- (71) Applicant: HUTCHINSON, Vaughan John [NZ/NZ];  
175 Surrey Road, RD 8, Tariki, Inglewood 4388 (NZ).
- (72) Inventor: HUTCHINSON, Ayla; 175 Surrey Road, RD 8,  
Tariki, Inglewood 4388 (NZ).
- (74) Agent: TYRER-HARDING, Denise; IPSpec NZ Limited,  
125 Clyde Street, Hamilton 3216 (NZ).
- (81) Designated States (unless otherwise indicated, for every kind of national protection available): AE, AG, AL, AM, AO, AT, AU, AZ, BA, BB, BG, BH, BN, BR, BW, BY, BZ, CA, CH, CL, CN, CO, CR, CU, CZ, DE, DK, DM, DO, DZ, EC, EE, EG, ES, FI, GB, GD, GE, GH, GM, GT, HN, HR, HU, ID, IL, IN, IR, IS, JP, KE, KG, KN, KP, KR, KZ, LA, LC, LK, LR, LS, LT, LU, LY, MA, MD, ME, MG, MK, MN, MW, MX, MY, MZ, NA, NG, NI, NO, NZ, OM, PA, PE, PG, PH, PL, PT, QA, RO, RS, RU, RW, SA, SC, SD, SE, SG, SK, SL, SM, ST, SV, SY, TH, TJ, TM, TN, TR, TT, TZ, UA, UG, US, UZ, VC, VN, ZA, ZM, ZW.
- (84) Designated States (unless otherwise indicated, for every kind of regional protection available): ARIPO (BW, GH, GM, KE, LR, LS, MW, MZ, NA, RW, SD, SL, SZ, TZ, UG, ZM, ZW), Eurasian (AM, AZ, BY, KG, KZ, RU, TJ, TM), European (AL, AT, BE, BG, CH, CY, CZ, DE, DK, EE, ES, FI, FR, GB, GR, HR, HU, IE, IS, IT, LT, LU, LV, MC, MK, MT, NL, NO, PL, PT, RO, RS, SE, SI, SK, SM,

[Continued on next page]


(54) Title: IMPROVEMENTS IN AND RELATING TO SPLITTING APPARATUS

FIGURE 1



(57) Abstract: This invention relates to apparatus for mechanically splitting materials. The splitting apparatus includes a body with cutting means arranged relative thereto. The cutting means includes at least one cutting surface oriented vertically. The splitting apparatus is characterised by the cutting means applying an upward pressure against the material which is split when a separate downward force is applied to the material. The body of the splitting apparatus also includes safety means to protect the user from the cutting means; elongate supporting means to distance the safety means from either or both the cutting means and a surface on which the splitting apparatus is used; stabilising means to stabilise the splitting apparatus relative to a surface on which the splitting apparatus is used; and optionally deflecting means to deflect split materials away from the cutting means and container means to contain therewithin split materials produced during the splitting of the materials.





**“The PCT gave us crucial breathing space to decide which countries were going to be of most importance to us and time to plan ahead to protect the invention in countries where the market embraced Ayla’s invention, her youth, her story and her creativity.”**

**- Kindling Cracker Ltd**



KINDLINGCRACKER.COM  
DESIGNED IN NEW ZEALAND

kindlingcracker.com



[www.wipo.int/pct](http://www.wipo.int/pct)