

Importance of using patent information

June 1, 2021

Naana Halm

Consultant, TISC Development Section, Technology and Innovation
Support Division

Overview

- What is the nature of patent information?
- How can we use this information?
- Why is this information so important?

Patent system

- **Protection:** Reward investments made in developing a new invention
- **Disclosure:** Publish and make known technical information of a new invention

→ Innovation and economic growth

Image source: E. Vitte

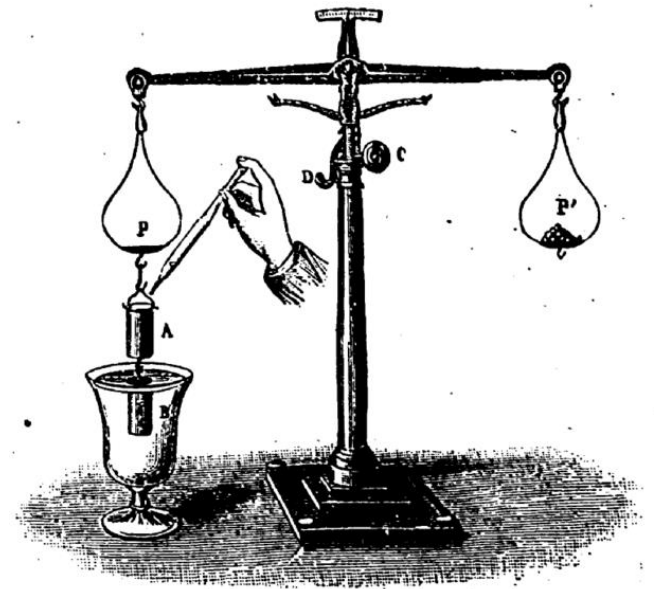


FIG. 57. — Balance hydrostatique.

Nature of patent information

Protection

- Territorial
- Time-limited
- Claims only

→ Exclusive right

Disclosure

- Global
- Permanent
- Full document

→ Learning opportunity

Patent information: New opportunities!

- Many patent collections are now available online in digital format
- Search services and tools have made the exploitation of this information simpler and more cost-effective
- Many search services and tools are available for free!
→ Opportunities exist to open patent information to new constituencies

Users of patent information

- Individual inventors
- Academic institutions
- Research institutions
- Small and medium enterprises (SMEs)
- Industry
- Government agencies
- Patent attorneys
- and many others...

Uses of patent information: Legal

- Determine the patentability of your inventions
- Draft strong patent applications
- Avoid patent infringement
- Determine the validity of existing patents and which technologies belong to the public domain

Scenario

- A manufacturer of wind turbines would like to identify new technologies to incorporate into its products.
 - The manufacturer would also like to know whether these technologies can be exploited freely, or whether licenses must be obtained from patent holders.
- Avoid patent infringement



Photo source: Pavel Ševela / Wikimedia Commons

Uses of patent information: Technical

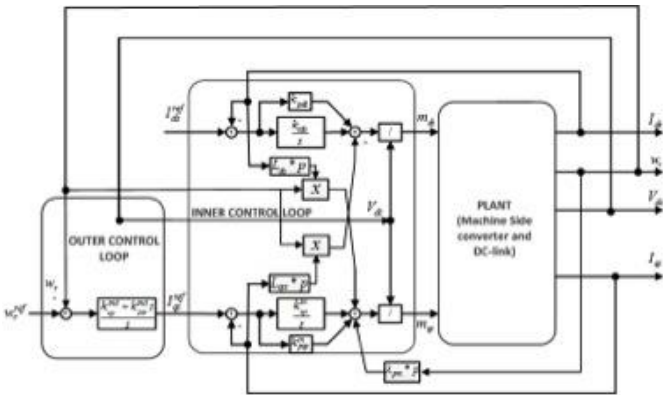
- Develop new solutions to technical challenges faced in the country, or adapt existing technologies to suit local conditions
- Target research resources more effectively (avoid “reinventing the wheel”)
- Technical information must be sufficiently clear and comprehensive to be carried out by a typical expert in the field of technology (“a person having ordinary skill in the art”)

Scenario



- A research laboratory aims to develop new wind turbine controller technologies and would like to know what has already been done in this area of research.

→ Avoid reinventing the wheel



Uses of patent information: Business / Policy

- Track research activities of competitors
- Identify opportunity for licensing and joint ventures
- Review trends in specific areas of technology

Scenario

- The manufacturer of wind turbines would like to identify its major competitors and potential partners to develop new technologies and products.



Photo source: W.Wacker (Wikimedia)

Thank you!

tisc@wipo.int