



Drafting Patent Claims:

Exercise 3: Hanger

Emmanuel E. Jelsch

Swiss and European Patent attorney



Hanger

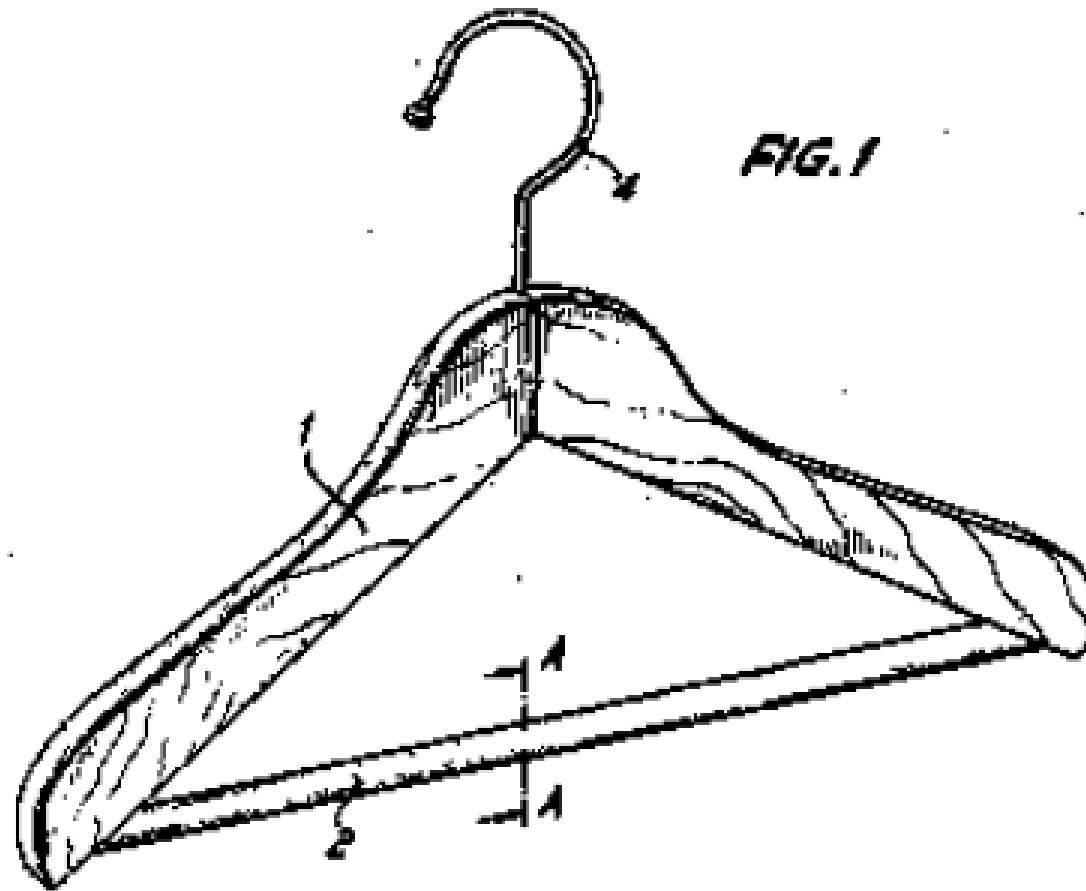
Spotting and Generalizing the Invention

What is the invention?

Example : Hotel's hanger



Hanger (Prior art 1)



Hanger (Prior art 2)

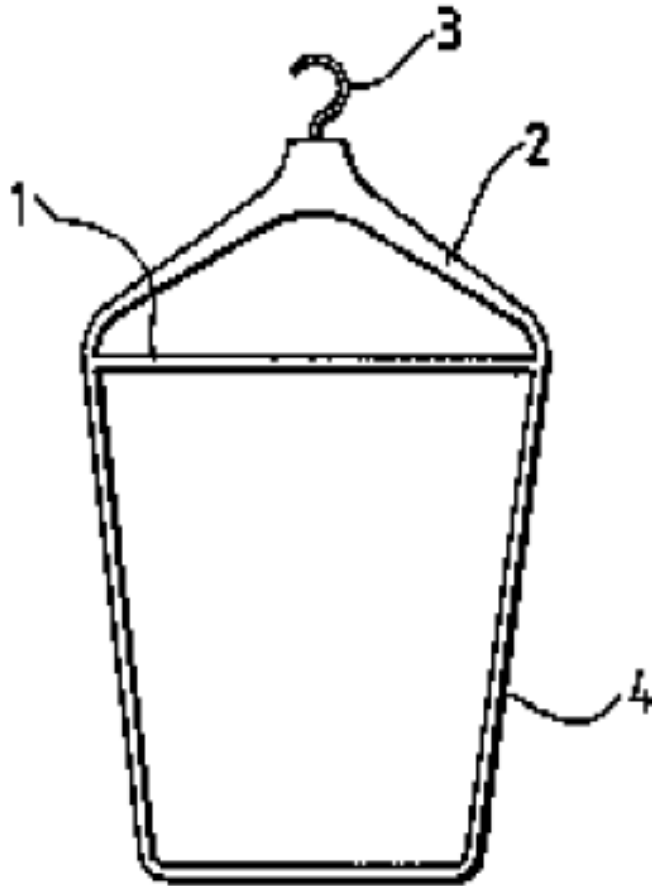


Fig. 1.

Hanger (invention)



Hanger (invention)



Hanger (invention)



Hanger (invention)



Exercise 3

Hanger (invention)



Problem of the invention:

Hangers disappear from rooms, i.e. in customers' suitcases or in another room. Clients are angry at their arrival when noting the lack of hangers.

Prior art's solutions:

- classic hanger
- loan of hangers when checking in,
and return when checking out!



Bacground art

Identifying the prior art's drawbacks:

The solution described in this document has the disadvantage of being cumbersome, further it requires a large amount of raw material, and ultimately offers no solution to the problem of displacement of hangers from one room to another.

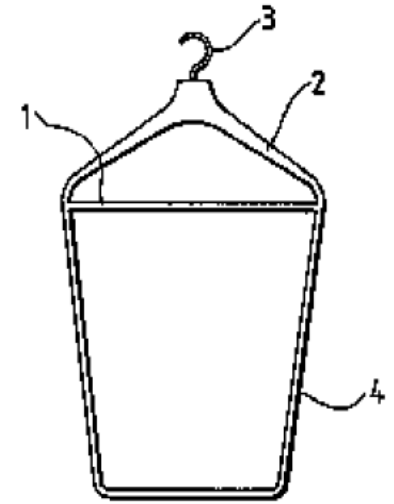


Fig.1.



Features of the invention:

The hanger is in two parts, one attached to the bar and the other supporting the garment.

The assembly must be simple and fast.

Assembly:

- **Rod end with ball-shaped**
- **two hooks**

Other known forms of attachment

Please draft:

- First one independent claim defining the invention and granting the broadest possible protection
- Then several dependent claims defining fall back positions in case the independent claim should turn out at a later point in time not to be valid because further prior art has been found.